



BORNIC

ZTN-017 SERIES



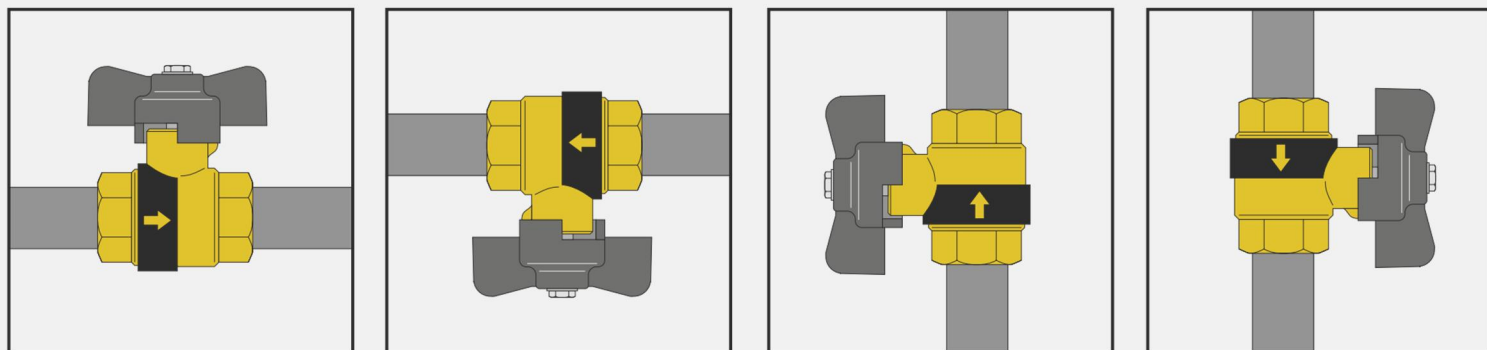
BUTTERFLY HANDLE BALL VALVE

IN-LINE BUTTERFLY HANDLE BALL VALVE

PREMIER FLOW CONTROL OFFERING

The ball valve, which houses the non-return device, actually carries out a shut-off function: if the pump is removed or the boiler emptied, it prevents all the water in the system from draining out.

The ball shut-off valve with built-in check valve should be installed in the system in accordance with the flow direction indicated on the plastic band applied to the valve body. The valve can be fitted in any position, horizontal, vertical, or upside down.



Brass Valves: Visual Index

Table of Contents

Visual Index.....	H2
Butterfly Handle Ball Valve.....	H3-H14
Suitable for line assembly in pipeline with the principle aim to open and close flow in distribution systems. Suitable for hot and cold water applications.	
About Us.....	H15



BUTTERFLY HANDLE BALL VALVE

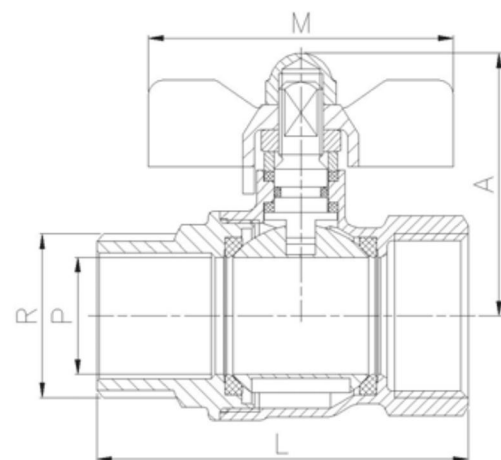
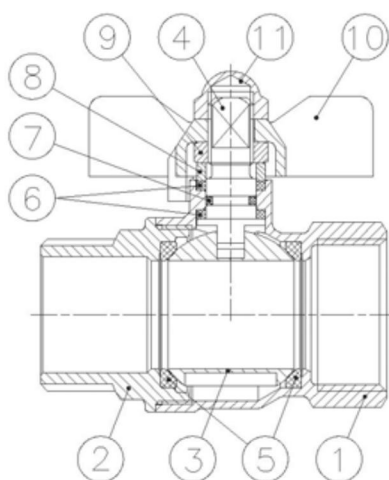
ZTN-017 SERIES

Características

1. Válvula esfera con paso total.
2. Construcción en latón s/ UNE-EN 12165 cromado.
3. Extremos rosca gas (BSP) macho-hembra s/ ISO 228/1.
4. Accionamiento mediante palomilla de aluminio. (Color rojo - indicador agua caliente).
5. Temperatura de trabajo desde -20°C a 110°C.
6. Presión máxima de trabajo 25 bar (PN 25).
7. Asientos PTFE.

Features

1. Ball valve with full bore.
2. Brass construction acc/ to UNE-EN 12165 chrome plated.
3. Threaded male-female ends gas (BSP) acc/ ISO 228/1.
4. Working by means of aluminium butterfly handle. (Red colour - hot water indicator)
5. Working temperature from -20°C to 110°C.
6. Maximum working pressure 25 bar (PN 25).
7. PTFE Seats.



Nº	Denominación / Name	Material	Acabado Superficial / Surface Treatment
1	Cuerpo / Body	Latón / Brass (CW617N)	Granallado + Cromado / Peened + Chromed
2	Tapa / Cap	Latón / Brass (CW617N)	Granallado + Cromado / Peened + Chromed
3	Esfera / Ball	Latón / Brass (CW617N)	Cromado / Chrome plated
4	Eje / Stem	Latón / Brass (CW617N)	Cromado / Chrome plated
5	Asientos / Ball seats	PTFE	-
6	Anillo junta / Stem packing	PTFE	-
7	Junat tórica / O-Ring	NBR	-
8	Anillo prensa / Stem ring	Latón / Brass	Cromado / Chrome plated
9	Tuerca / Nut	Latón / Brass	Cromado / Chrome plated
10	Maneta / T-Handle	Aluminio / Aluminium	Pintado / Painted
11	Tuerca / Nut	Latón / Brass	Cromado / Chrome plated

CODE	Medida / Size R	DN	Dimensiones / Dimensions (mm)				Peso / Weight (Kg)
			P	A	L	M	
ZTN-017-001	1/4"	10	10	38	48	50	0,100
ZTN-017-002	3/8"	10	10	38	49	50	0,105
ZTN-017-003	1/2"	15	14	40	56	50	0,150
ZTN-017-004	3/4"	20	19	50	64	62	0,250
ZTN-017-005	1"	25	24	53	76	62	0,380

BUTTERFLY HANDLE BALL VALVE

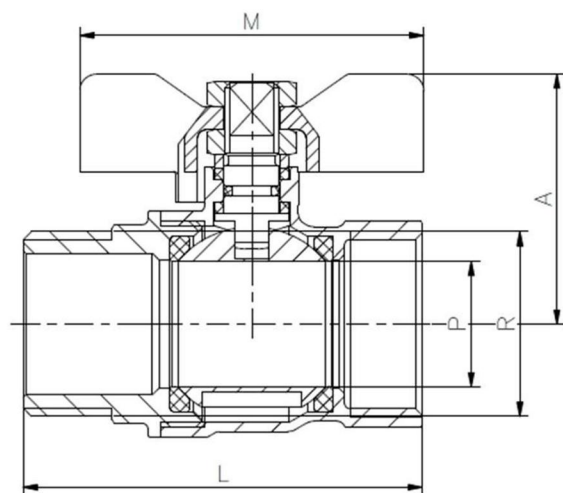
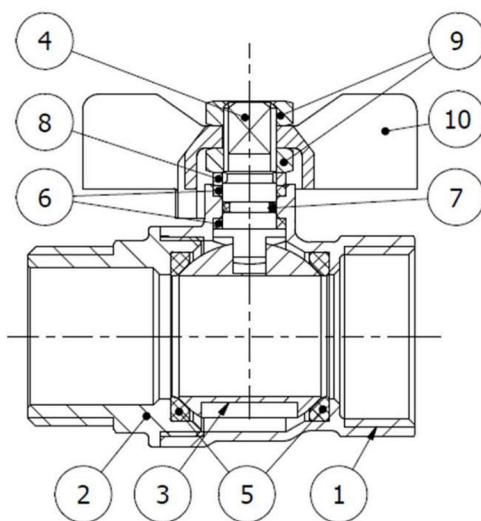
ZTN-017 SERIES

Características

1. Válvula esfera con paso estándar.
2. Construcción en latón s/ UNE-EN 12165 cromado.
3. Extremos rosca gas (BSP) M-H según ISO 228/1
4. Accionamiento mediante palomilla de aluminio
5. Temperatura de trabajo desde -20°C a 110°C.
6. Presión máxima de trabajo 25 bar (PN 25).
7. Asientos PTFE
8. Certificado de conformidad Sanitaria ACS

Features

1. Ball valve with standard bore.
2. Brass acc/ UNE-EN12165 chrome plated.
3. Gas (BSP) threaded M-F ends ac/ ISO 228/1
4. Working by means of aluminium butterfly handle
5. Working temperature from -20°C to 110°C.
6. Maximum working pressure 25 bar (PN 25).
7. PTFE Seats.
8. ACS certified



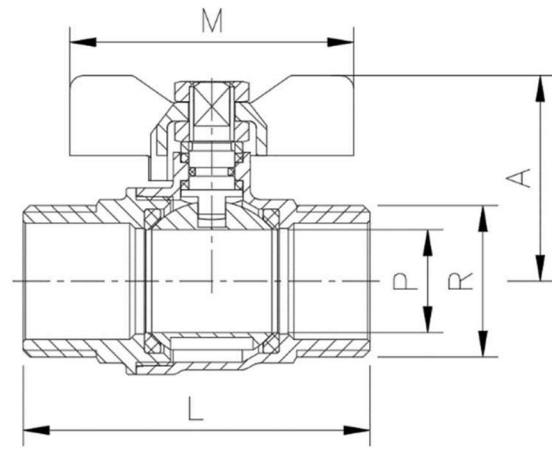
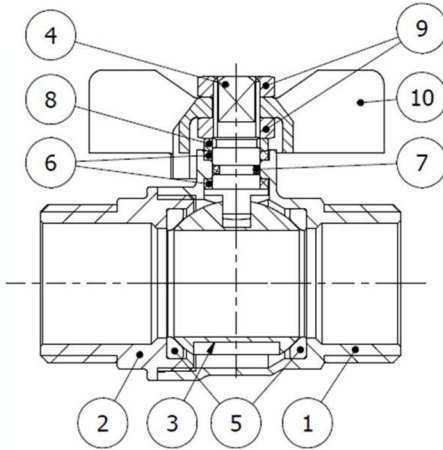
Nº	Denominación / Name	Material	Acabado Superficial / Surface Treatment
1	Cuerpo / Body	Latón / Brass (CW617N)	Granallado + Cromado / Peened + Chromed
2	Tapa / Cap	Latón / Brass (CW617N)	Granallado + Cromado / Peened + Chromed
3	Esfera / Ball	Latón / Brass (CW617N)	Cromado / Chrome plated
4	Eje / Stem	Latón / Brass (CW617N)	Cromado / Chrome plated
5	Asientos / Ball seats	PTFE	-
6	Empaquetadura / Stem packing	PTFE	-
7	Tórica / O-Ring	NBR	-
8	Prensaestopas / Stem ring	Latón / Brass	Cromado / Chrome plated
9	Tuerca / Nut	Latón / Brass	Cromado / Chrome plated
10	Maneta / T-Handle	Aluminio / Aluminium	Pintado / Painted

CODE	Medida / Size R	DN	Dimensiones / Dimensions (mm)				Peso / Weight (Kg)
			P	A	L	M	
ZTN-017-006	1/2"	15	14	34.5	51,8	50	0,126
ZTN-017-007	3/4"	20	18	37.5	60	50	0,205
ZTN-017-008	1"	25	23	45	71.9	62	0,338

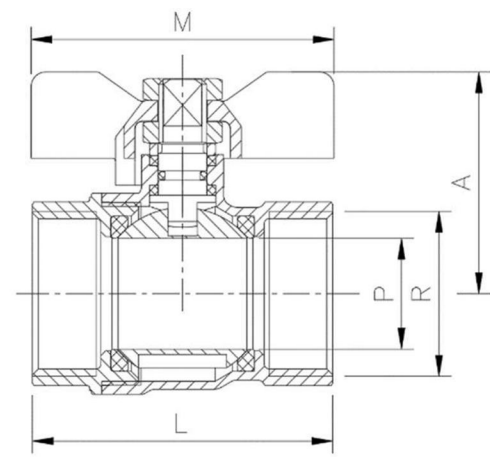
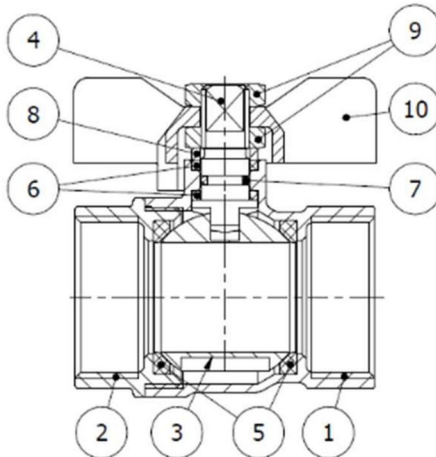
BUTTERFLY HANDLE BALL VALVE

ZTN-017 SERIES

CODE	Medida / Size R	DN	Dimensiones / Dimensions (mm)				Peso / Weight (Kg)
			P	A	L	M	
ZTN-017-009	1/2"	15	14	34.5	53.8	50	0,125
ZTN-017-010	3/4"	20	18	37.5	60	50	0,203
ZTN-017-011	1"	25	23	45	75.7	62	0,348



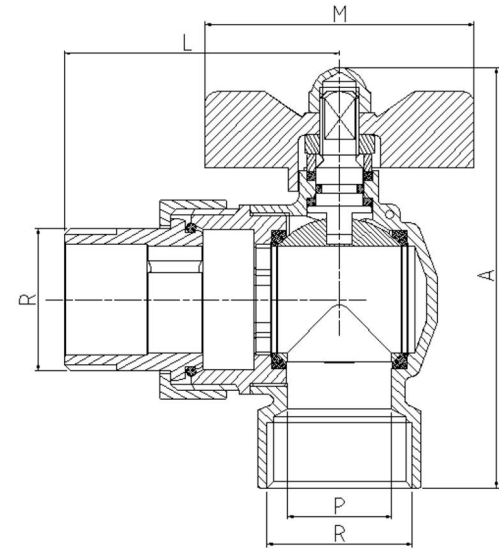
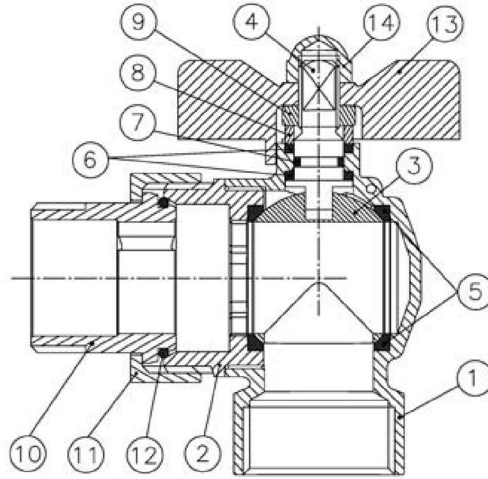
CODE	Medida / Size R	DN	Dimensiones / Dimensions (mm)				Peso / Weight (Kg)
			P	A	L	M	
ZTN-017-012	1/2"	15	14	34.5	44	50	0,114
ZTN-017-013	3/4"	20	18	37.7	51	50	0,184
ZTN-017-014	1"	25	23	45	61	62	0,299



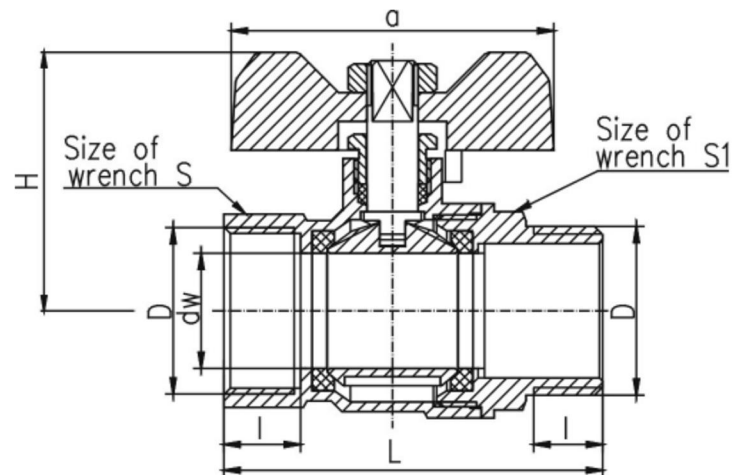
BUTTERFLY HANDLE BALL VALVE

ZTN-017 SERIES

CODE	Medida / Size R	DN	Dimensiones / Dimensions (mm)				Peso / Weight (Kg)
			P	A	L	M	
ZTN-017-015	3/4" x 3/4"	25	20	87	58	62	0,375
ZTN-017-016	1" x 1"	25	25	97	63	62	0,585



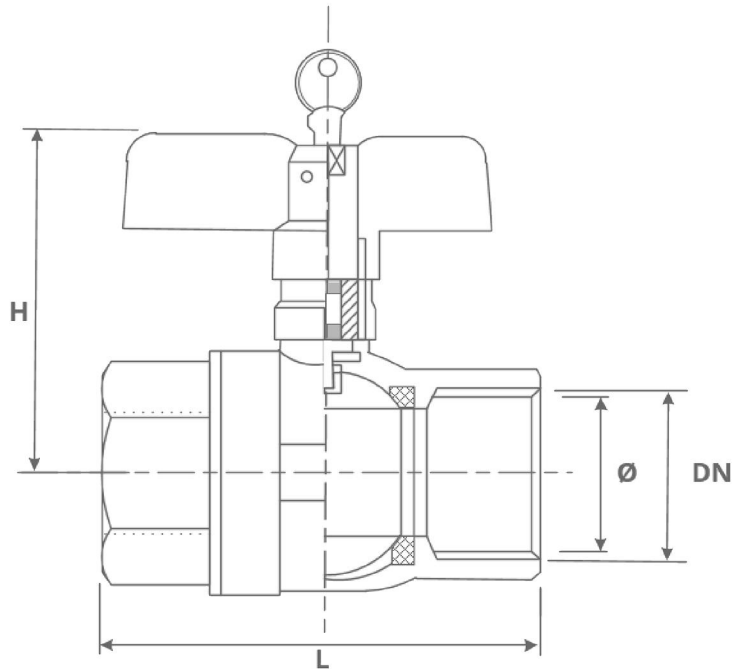
CODE	Medida / Size R	DN	Dimensiones							
			D	I	DW	L	A	H	S	S1
ZTN-017-015	1/2"	15	G1/2	11	13,5	52	50	38,5	24	22
ZTN-017-016	3/4"	20	G3/4	12	18	58	50	40,5	30	28
ZTN-017-017	1"	25	G1	14	22	70	63	49	37	35



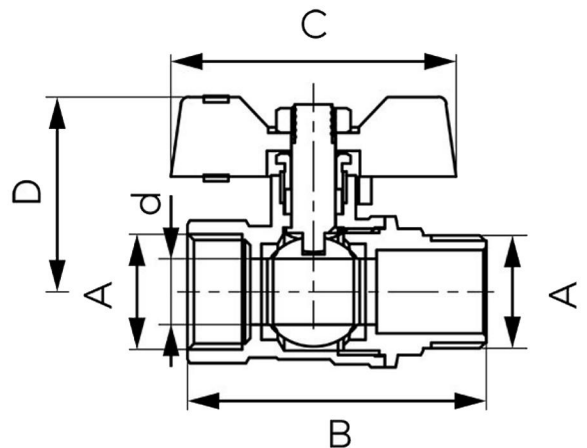
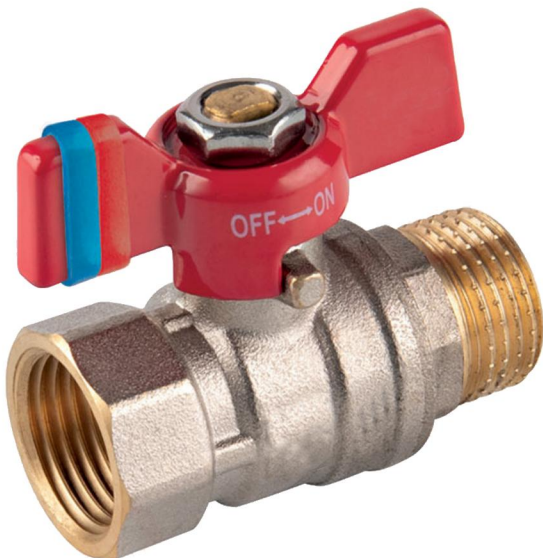
BUTTERFLY HANDLE BALL VALVE

ZTN-017 SERIES

CODE	Pressure / Temperature Ratings		Dimensiones					Kv Coefficients	
			DN	SIZE	H	L	KG	SIZE	KV
ZTN-017-018	Max Pressure	151/2" PN64 3/4" to 1" PN40	15	1/2"	74	59	0.44	1/2"	15.8
ZTN-017-019	Temperature Gas	-20°C to 70°C	20	3/4"	80	69	0.54	3/4"	29
ZTN-017-020	Temperature Fluid	-20°C to 150°C	25	1"	83	83	0.8	1"	50



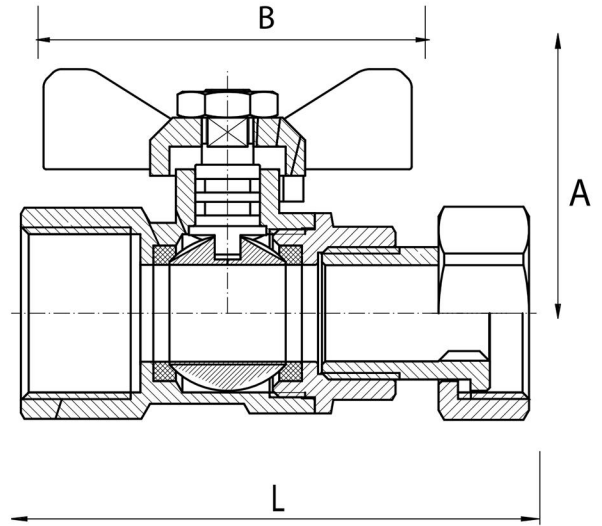
CODE	DN	A	d [mm]	B [mm]	C [mm]	D [mm]	Kvs [m³/h]
ZTN-017-021	15	G1/2	12	54,5	52	35,5	5,34
ZTN-017-022	20	G3/4	16	62,5	52	38,8	13,31
ZTN-017-023	25	G1	21	71,5	67,5	50	21,28



BUTTERFLY HANDLE BALL VALVE

ZTN-017 SERIES

CODE	Type	Connectionv		Dimensions (mm)			Pack Qty
		Inlet	Outlet	A	B	L	
ZTN-017-024	T-Handle (Butterfly) Loose Nut	3/4" F x F	RC 3/4" x G3/4" Nut	46.5	57	72	16
ZTN-017-025	T-Handle (Butterfly) Loose Nut	3/4" F x F	RC 3/4" x G3/4" Nut	46.5	57	72	16



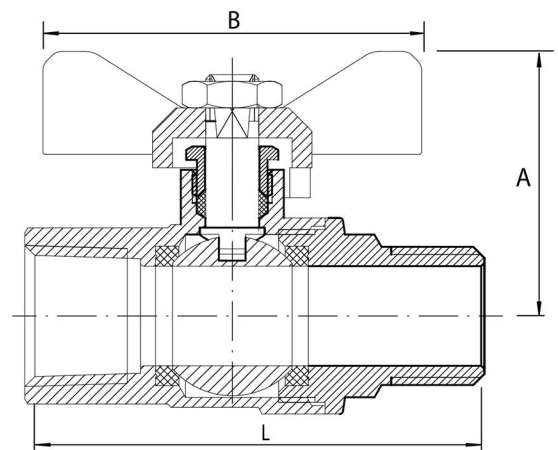
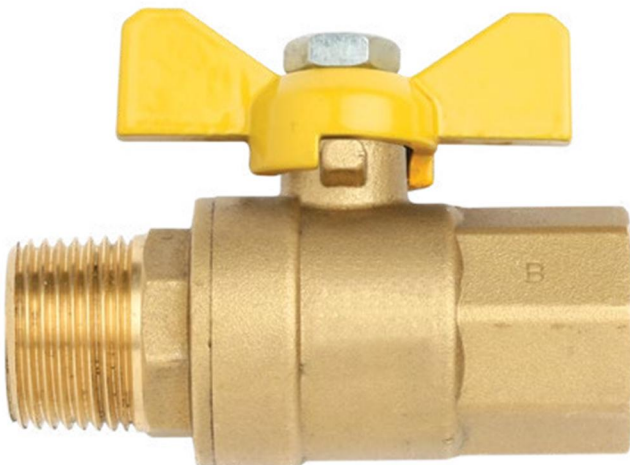
CODE	Type	Connectionv		Dimensions (mm)			Pack Qty
		Description	Thread	A	B	L	

F x F T-Handle Ball Valves - Gas

ZTN-017-026	T-handle (Butterfly)	1/2" F x F	RC 1/2" x RC 1/2"	39.5	57	60	20
ZTN-017-027	T-handle (Butterfly)	1/2" F x M	RC 3/4" x RC 3/4"	46.5	57	74.5	8

M x F T-Handle Ball Valves - Gas

ZTN-017-028	T-handle (Butterfly)	3/4" M x F	RC 3/4" x RC 3/4"	46.5	57	59	8
ZTN-017-029	T-handle (Butterfly)	1" M x F	RC 1" x R 1"	52	57	82	12



BUTTERFLY HANDLE BALL VALVE

ZTN-017 SERIES

CODE	Type	Connection	Dimensions (mm)			Pack Qty
			A	B	L	

F x F T-Handle Ball Valves - Gas

ZTN-017-030	BSP Flare x Flare T-Handle Ball Valves	3/8" BSP	39	57	69.5	20
-------------	--	----------	----	----	------	----

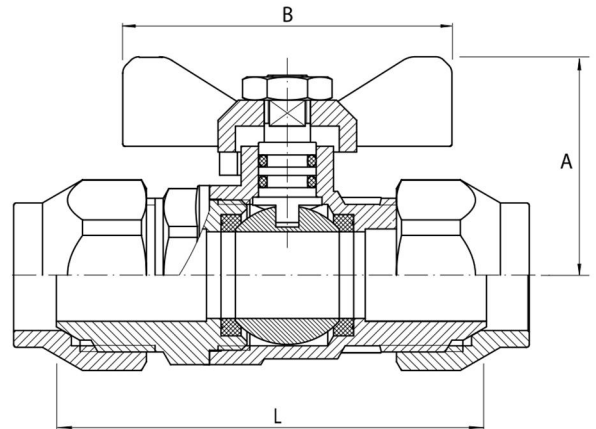
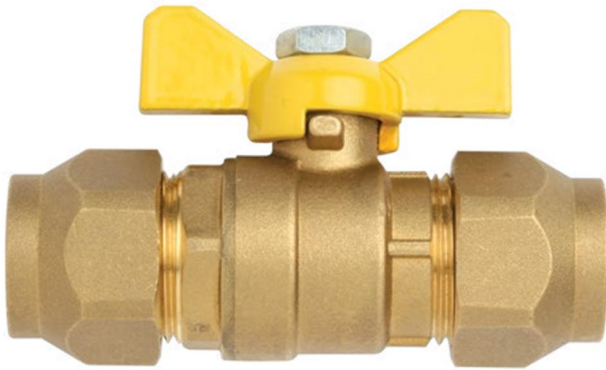
ZTN-017-031	BSP Flare x Flare T-Handle Ball Valves	3/4" BSP	39.8	57	74.5	20
-------------	--	----------	------	----	------	----

M x F T-Handle Ball Valves - Gas

ZTN-017-032	BSP Flare x Flare T-Handle Ball Valves	3/8" SAE	39	57	69.5	20
-------------	--	----------	----	----	------	----

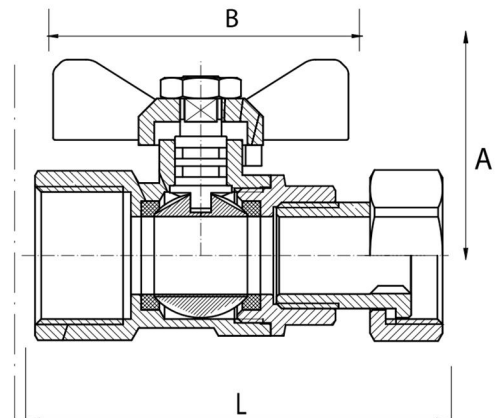
ZTN-017-033	BSP Flare x Flare T-Handle Ball Valves	5/16" SAE	39	57	63	20
-------------	--	-----------	----	----	----	----

ZTN-017-034	BSP Flare x Flare T-Handle Ball Valves	5/16" SAE	39	57	63	20
-------------	--	-----------	----	----	----	----



CODE	Type	Connection		Dimensions (mm)			Pack Qty
		Inlet	Outlet	A	B	L	

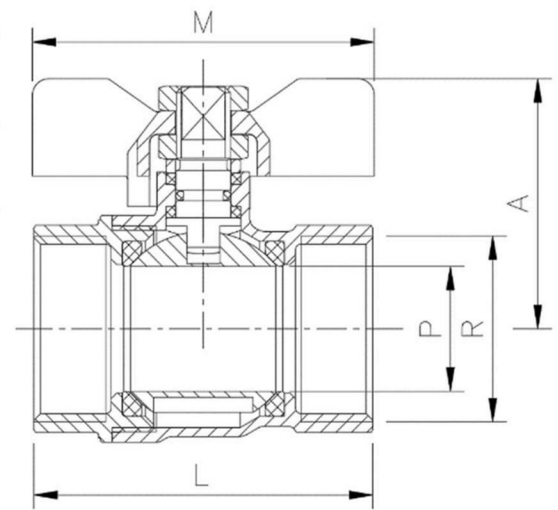
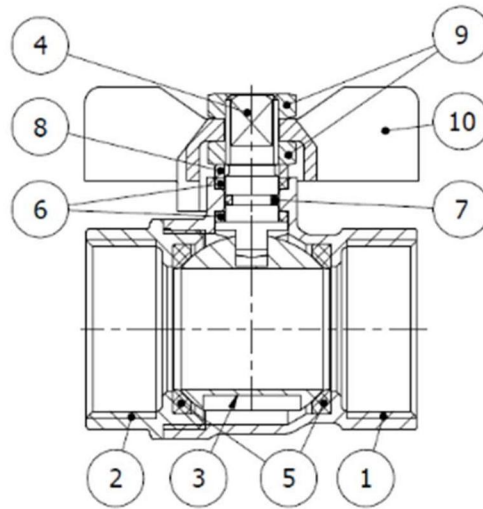
ZTN-017-035	T-Handle (Butterfly) Loose Nut	3/4" F x F	RC 3/4" x G3/4" Nut	46.5	57	72	16
-------------	--------------------------------	------------	---------------------	------	----	----	----



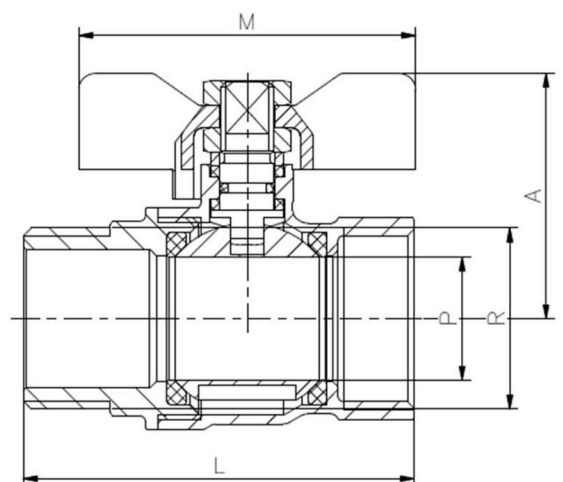
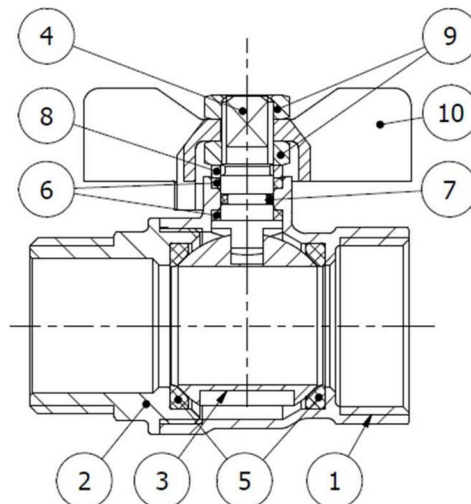
BUTTERFLY HANDLE BALL VALVE

ZTN-017 SERIES

CODE	Medida / Size R	DN	mensiones / Dimensions (mm)				Peso / Weight (Kg)
			P	A	L	M	
ZTN-017-036	1/2"	15	14	34.5	44	50	0,114
ZTN-017-037	3/4"	20	18	37.7	51	50	0,184
ZTN-017-038	1"	25	23	45	61	62	0,299



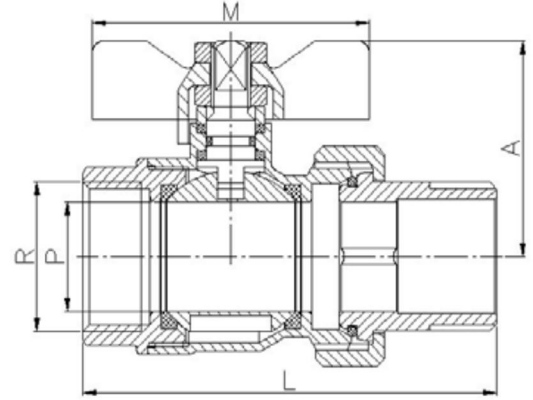
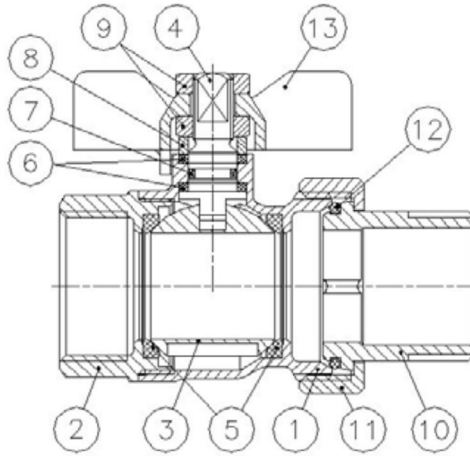
CODE	Medida / Size R	DN	mensiones / Dimensions (mm)				Peso / Weight (Kg)
			P	A	L	M	
ZTN-017-039	1/2"	15	14	34.5	51,8	50	0,126
ZTN-017-040	3/4"	20	18	37.5	60	50	0,205
ZTN-017-041	1"	25	23	45	71,9	62	0,338



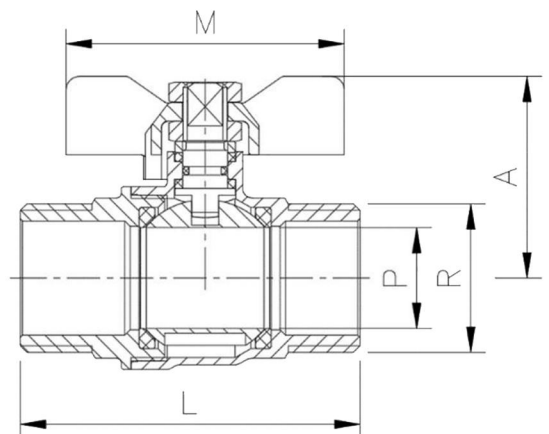
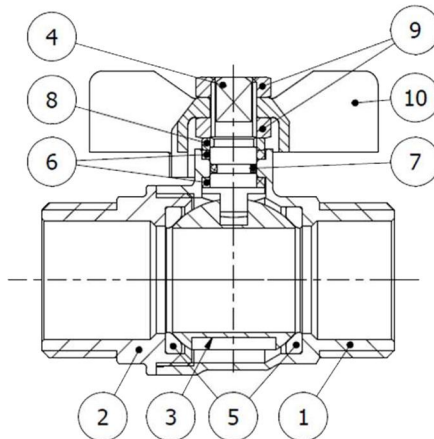
BUTTERFLY HANDLE BALL VALVE

ZTN-017 SERIES

CODE	Medida / Size R	Dimensiones / Dimensions (mm)				Peso / Weight (Kg)
		P	A	L	M	
ZTN-017-042	1/2"	14	36	69	50	0,185
ZTN-017-043	3/4"	19	44	76	62	0,305
ZTN-017-044	1"	24	48	92	62	0,490
ZTN-017-045	1 1/4"	30	57	106	78	0,715



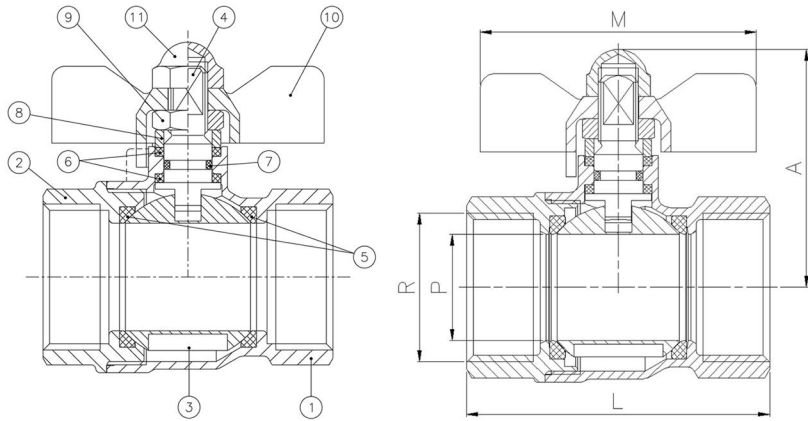
CODE	Medida / Size R	DN	Dimensiones / Dimensions (mm)				Peso / Weight (Kg)
			P	A	L	M	
ZTN-017-046	1/2"	15	14	34.5	53.8	50	0,125
ZTN-017-047	3/4"	20	18	37.7	62	50	0,203
ZTN-017-048	1"	25	23	45	75.7	62	0,348



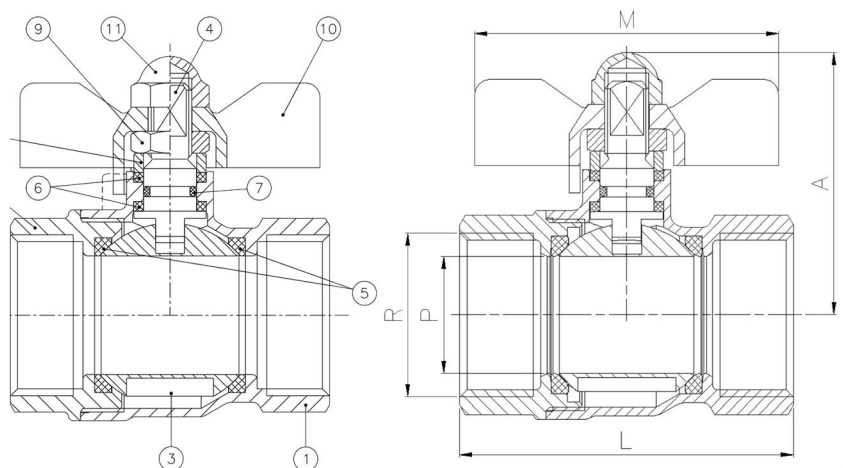
BUTTERFLY HANDLE BALL VALVE

ZTN-017 SERIES

CODE	Medida / Size R	DN	Dimensiones / Dimensions (mm)				Peso / Weight (Kg)
			P	A	L	M	
ZTN-017-049	1/4"	10	10	38	40	50	0,088
ZTN-017-050	3/8"	10	10	38	43	50	0,094
ZTN-017-051	1/2"	15	14	40	49	50	0,127
ZTN-017-052	3/4"	20	19	50	56	62	0,222
ZTN-017-053	1"	25	24	53	68	62	0,336



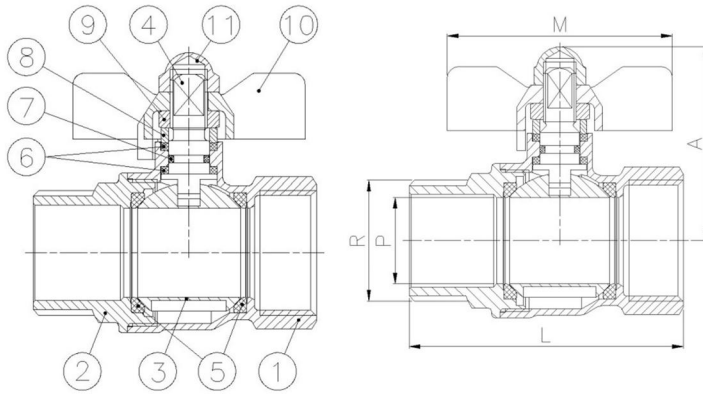
CODE	Medida / Size R	DN	Dimensiones / Dimensions (mm)				Peso / Weight (Kg)
			P	A	L	M	
ZTN-017-054	1/4"	10	10	38	40	50	0,085
ZTN-017-055	3/8"	10	10	38	43	50	0,092
ZTN-017-056	1/2"	15	14	40	49	50	0,127
ZTN-017-057	3/4"	20	19	50	56	62	0,219
ZTN-017-058	1"	25	24	53	68	62	0,334



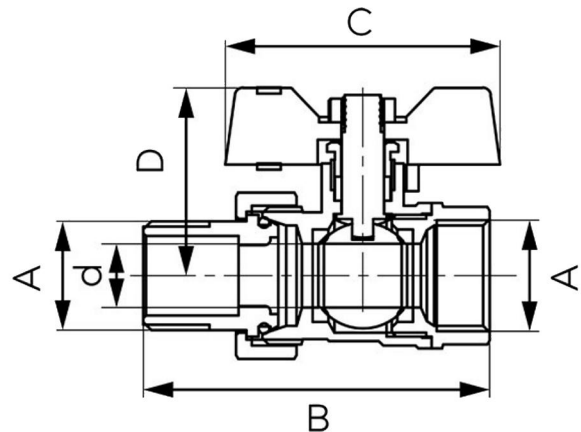
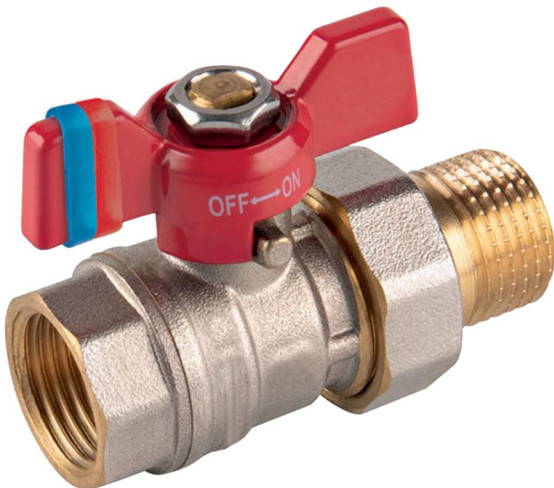
BUTTERFLY HANDLE BALL VALVE

ZTN-017 SERIES

CODE	Medida / Size R	DN	Dimensiones / Dimensions (mm)				Peso / Weight (Kg)
			P	A	L	M	
ZTN-017-059	1/4"	10	10	38	48	50	0,100
ZTN-017-060	3/8"	10	10	38	49	50	0,105
ZTN-017-061	1/2"	15	14	40	56	50	0,150
ZTN-017-062	3/4"	20	19	50	64	62	0,250
ZTN-017-063	1"	25	24	53	76	62	0,380



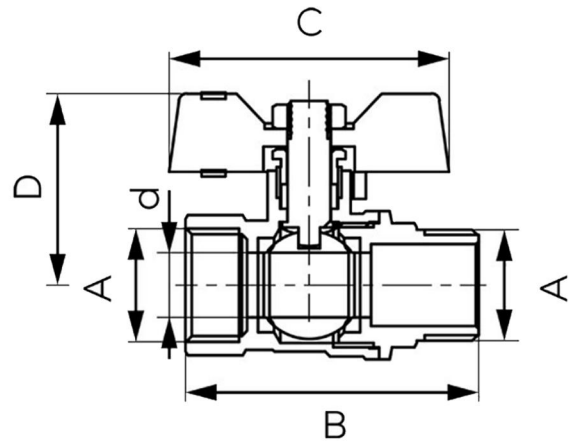
CODE	DN	A	d [mm]	B [mm]	C [mm]	D [mm]	Kvs [m³/h]
ZTN-017-064	15	G1/2	12	65,5	52	35,5	6,39
ZTN-017-065	20	G3/4	16	76	52	38,8	11,83
ZTN-017-066	25	G1	21	87	67,5	50	21,50



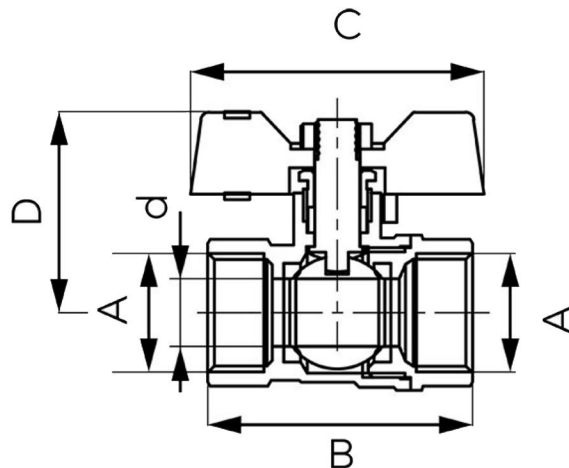
BUTTERFLY HANDLE BALL VALVE

ZTN-017 SERIES

CODE	DN	A	d [mm]	B [mm]	C [mm]	D [mm]	Kvs [m³/h]
ZTN-017-067	15	G1/2	12	54,5	52	35,5	5,34
ZTN-017-068	20	G3/4	16	62,5	52	38,8	13,31
ZTN-017-069	25	G1	21	71,5	67,5	50	21,28



CODE	DN	A	d [mm]	B [mm]	C [mm]	D [mm]	Kvs [m³/h]
ZTN-017-070	15	G1/2	12	47	52	35,5	5,34
ZTN-017-071	20	G3/4	16	55,5	52	38,8	13,31
ZTN-017-072	25	G1	21	67,5	67,5	49,5	21,28



Bornic Family of Brands

BORNIC(zhejiang Bornic Fluid ControlCo.,Ltd.)was established in 2005 in Yuhuan City,zhejiang Province. With 50 employees boasting nearly 20 years of industrial experience,our 5000-square-meterfacility strictly adheres to Iso quality management systems.

Our products hold EU CE,ACS,WARS,and CUPC certifications,ensuring quality and safety. With an annual output value of \$ 5 million USD, our insured products cater to global markets, adhering to European and other standards with customized services available.Specializing in premium brass fittings and valves,our innovative approach has garnered support in over 50 countries.



Add:TAIZHOU,ZHEJIANG PROVINCE,PR.CHINA

Url:www.brasspushfit.com

Emi:info@zjbornic.com

Tel:+86-576-80735234