



BORNIC

**ZTN-01
SERIES**



RADIATOR VALVES

IN-LINE BRASS RADIATOR VALVES

PREMIER FLOW CONTROL OFFERING

The thermostatic radiator valve can be installed on either side of the radiator, in a vertical or horizontal position. If a lockshield valve is also used on the same radiator, install it on the opposite side of the radiator.

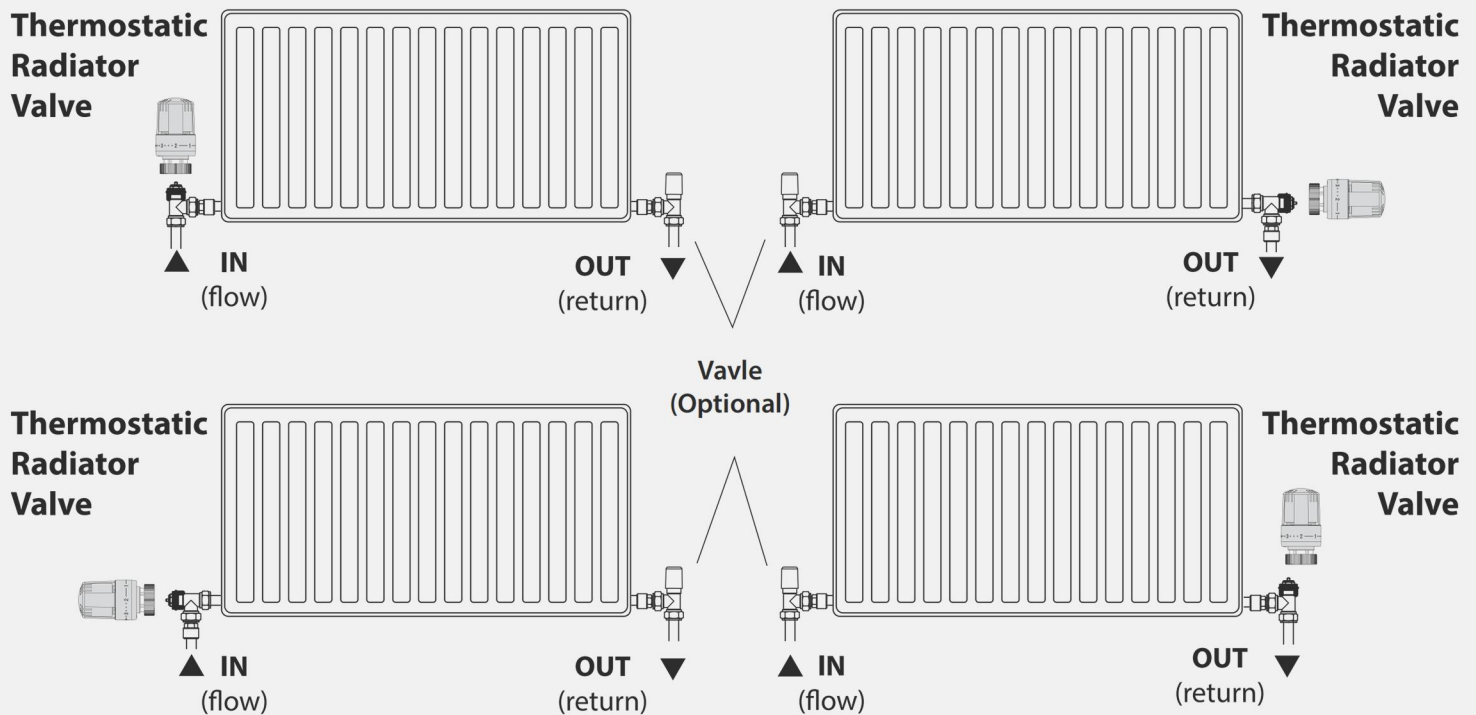


Table of Contents

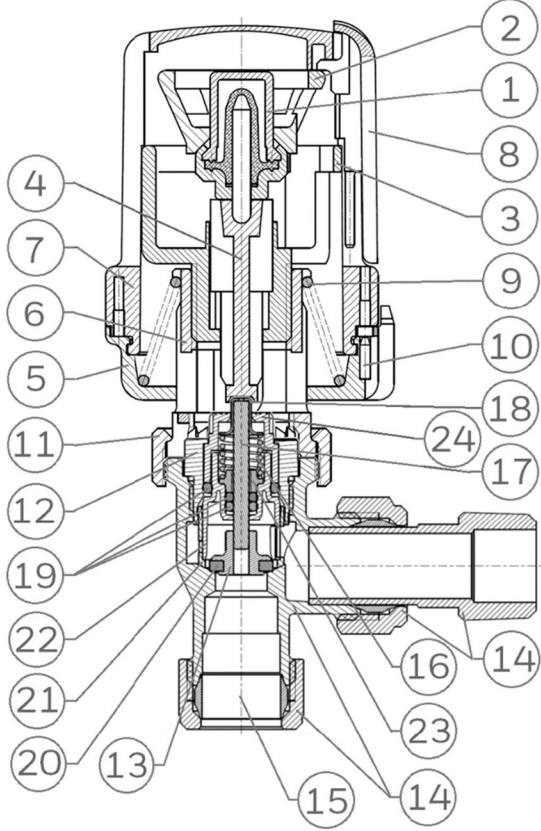
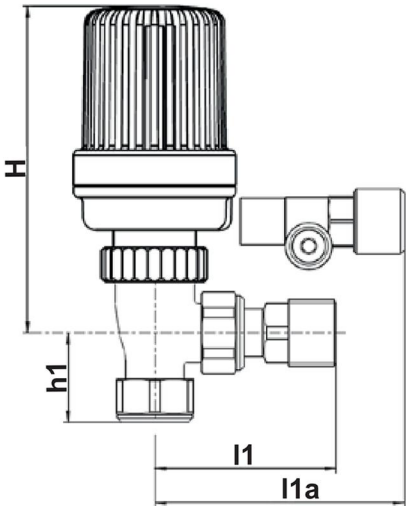
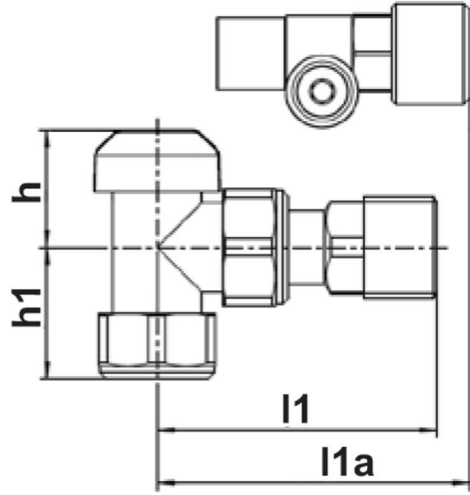
Visual Index.....	H2
Radiator Valves.....	H3-H12
<p>Thermostatic radiator valves (TRVs) control and limit the flow of heating medium to the radiator to maintain comfort in each room and save energy.</p> <p>The thermostatic head continuously senses the room temperature and adjusts the flow through the radiator, ensuring there is just the right amount of hot water needed to maintain the set temperature.</p>	
About Us.....	H13



CHECK VALVES

ZTN-01 SERIES

Valvole di ritegno in ottone / Radiator valves

Thermostatic valve and head	Components	Materials
	Thermostatic Head	
	1 Thermal expansion element	brass cartridge, EPDM membrane, stainless steel pin, wax filled
	2 Sensor holder	PA6 GF30
	3 Threaded bushing	
	4 Setting pin	PA6 GF30, white RAL 9016
	5 Base ring with pointer	
	6 Socket	ABS, white RAL9016
	7 Housing	
	8 Presetting tool/memory clip	Spring steel
	9 Overstroke protection spring	
	10 Range locking pins (2x)	Stainless steel
	11 Coupling nut	Brass, nickel plated
	Thermostatic Valve Body	
	12 Insert cartridge	Brass
	13 Plunger	
	14 Valve body, tailpiece, nut	Brass, nickel plated
	15 Compression olives	
	16 Return spring	Spring steel
	17 Spindle	
	18 Spindle cap	EPDM 70
	19 O-rings	
	20 Plunger seal	PPS GF40
	21 Orifice casing	
	22 Setting screen	PBT GF30
23 Retaining bushing		
24 Setting dial		
Not depicted components:		
	Protection cap	PP GF10
Overview		
		

CODE	Body type	Pipe connection	l1	l1a	h1	H	h
ZTN-01-01038	TRV only	15 mm copper	58	69	32	141	-
ZTN-01-01039		10 mm copper	58	69	32	141	-
ZTN-01-01040		8 mm copper	58	69	32	141	-
ZTN-01-01041	TRV and Lockshield	15 mm copper	58	69	32	141	-
ZTN-01-01042	Valve body only	15 mm copper	58	69	32	141	-
ZTN-01-01043	Lockshield only	15 mm copper	58	69	32	-	26

CHECK VALVES

ZTN-01 SERIES

Valvole di ritegno in
ottone / Radiator valves



CODE	SIZE	Push-fit adaptor	Material	A	B	C	D1	D2	E1
ZTN-01-01044	8/10mm x 1/2"	No	brass	61	104	26	-	-	-
ZTN-01-01045	15mm x 1/2"	No	brass	61	104	26	-	-	-
ZTN-01-01046	10mm x 1/2"	Elbow	brass	61	104	26	50	-	28
ZTN-01-01047	15mm x 1/2"	Elbow	brass	61	104	26	52	-	30



CODE	SIZE	Push-fit adaptor	Material	A	B	C	D1	D2	E1
ZTN-01-01048	10mm x 1/2"	No	brass	61	52	29	-	-	-
ZTN-01-01049	15mm x 1/2"	No	brass	61	52	29	-	-	-
ZTN-01-01050	8mm x 1/2"	No	brass	61	52	29	-	-	-
ZTN-01-01051	10mm x 1/2"	No	brass	61	52	29	-	-	-
ZTN-01-01052	15mm x 1/2"	No	brass	61	52	29	-	-	-
ZTN-01-01053	15mm x 1/2" (Irish Cone)	No	brass	61	52	29	-	-	-
ZTN-01-01054	10mm x 1/2" (15mm fitting)	Elbow	brass	61	52	29	52	-	28
ZTN-01-01055	15mm x 1/2"	Elbow	brass	61	52	29	52	-	30



CODE	SIZE	Push-fit adaptor	Material	A	B	C	D1	D2	E1
ZTN-01-01056	10mm x 1/2"	No	brass	61	52	29	-	-	-
ZTN-01-01057	15mm x 1/2"	No	brass	61	52	29	-	-	-
ZTN-01-01058	8mm x 1/2"	No	brass	61	52	29	-	-	-
ZTN-01-01059	10mm x 1/2"	No	brass	61	52	29	-	-	-
ZTN-01-01060	15mm x 1/2"	No	brass	61	52	29	-	-	-
ZTN-01-01061	15mm x 1/2" (Irish Cone)	No	brass	61	52	29	-	-	-
ZTN-01-01062	10mm x 1/2" (15mm fitting)	Straight	brass	61	52	29	-	37	-
ZTN-01-01063	10mm x 1/2" (15mm fitting)	Elbow	brass	61	52	29	52	-	30
ZTN-01-01064	15mm x 1/2"	Elbow	brass	61	52	29	52	-	28



CODE	SIZE	Push-fit adaptor	Material	A	B	C	D1	D2	E1
ZTN-01-01065	8mm x 1/2"	No	brass	77	52	29	-	-	-
ZTN-01-01066	10mm x 1/2"	No	brass	77	52	29	-	-	-
ZTN-01-01067	15mm x 1/2"	No	brass	77	52	29	-	-	-
ZTN-01-01068	8mm x 1/2"	No	brass	77	52	29	-	-	-
ZTN-01-01069	10mm x 1/2"	No	brass	77	52	29	-	-	-
ZTN-01-01070	15mm x 1/2"	No	brass	77	52	29	-	-	-
ZTN-01-01071	10mm x 1/2" (15mm fitting)	Elbow	brass	77	52	29	52	-	28
ZTN-01-01072	15mm x 1/2"	Elbow	brass	77	52	29	52	-	30

CHECK VALVES

ZTN-01 SERIES

Valvole di ritegno in
ottone / Radiator valves



CODE	SIZE	Push-fit adaptor	Material	A	B	C	D1	D2	E1
ZTN-01-01073	15mm x 1/2"	No	brass	64	32	66	-	-	-
ZTN-01-01074	10mm x 1/2" (15mm fitting)	Elbow	brass	64	32	66	20	-	28
ZTN-01-01075	15mm x 1/2"	Elbow	brass	64	32	66	29	-	30



CODE	SIZE	Push-fit adaptor	Material	A	B	C	D1	D2	E1
ZTN-01-01073	15mm x 1/2"	No	brass	64	32	66	-	-	-
ZTN-01-01074	10mm x 1/2" (15mm fitting)	Elbow	brass	64	32	66	20	-	28
ZTN-01-01075	15mm x 1/2"	Elbow	brass	64	32	66	29	-	30



CODE	SIZE	Push-fit adaptor	Material	A	B	C
ZTN-01-01079	15mm x 1/2"	No	brass	60	32	81



CODE	SIZE	Push-fit adaptor	Material	A	B	C
ZTN-01-01080	1/2" x 1/2"	No	brass	65	54	25



CODE	SIZE	Push-fit adaptor	Material	A	B	C
ZTN-01-01081	1/2" x 1/2"	No	brass	65	52	25



CODE	SIZE	Push-fit adaptor	Material	A	B	C
ZTN-01-01082	8/10mm x 1/2"	No	brass	61	34	69
ZTN-01-01083	15mm x 1/2"	No	brass	61	36	69



CODE	SIZE	Push-fit adaptor	Material	A	B	C
ZTN-01-01084	8/10mm x 1/2"	No	brass	61	34	69
ZTN-01-01085	15mm x 1/2"	No	brass	61	36	69

CHECK VALVES

ZTN-01 SERIES

Valvole di ritegno in ottone / Radiator valves



CODE	SIZE	Push-fit adaptor	Material	A	B	C
ZTN-01-01086	8/10mm x 1/2"	No	brass	61	34	84
ZTN-01-01087	15mm x 1/2"	No	brass	61	36	84



CODE	SIZE	Push-fit adaptor	Material	A	B	C
ZTN-01-01088	15mm x 1/2"	Plain	brass	40	34	84
ZTN-01-01089	15mm x 1/2"	Chrome plate	brass	40	36	84



CODE	SIZE	Push-fit adaptor	Material	A	B	C	D1	D2	E1	E1
ZTN-01-01090	10mm x 1/2"	No	brass	60	98	35	-	-	-	-
ZTN-01-01091	10mm x 1/2"	No	brass	60	98	35				
ZTN-01-01092	10mm x 1/2"	Elbow	brass	60	98	35	-	-	-	-



CODE	SIZE	Push-fit adaptor	Material	A	B	C	D1	E1
ZTN-01-01093	10mm x 1/2" (15mm fitting)	No	brass	60	52	34	-	-
ZTN-01-01094	15mm x 1/2"	No	brass	60	52	34	-	-
ZTN-01-01095	10mm x 1/2" (15mm fitting)	No	brass	60	52	34	50	28
ZTN-01-01096	15mm x 1/2"	Elbow	brass	60	52	34	53	30



CODE	SIZE	Push-fit adaptor	Material	A	B	C	D1	E1
ZTN-01-01097	10mm x 1/2"	No	brass	60	52	35	50	28
ZTN-01-01098	15mm x 1/2"	No	brass	60	52	35	53	30
ZTN-01-01099	10mm x 1/2" (15mm fitting)	Elbow	brass	60	52	35	50	27
ZTN-01-01100	15mm x 1/2"	Elbow	brass	60	52	35	53	33



CODE	SIZE	Push-fit adaptor	Material	A	B	C	D1	E1
ZTN-01-01101	15mm x 1/2"	No	brass	77	52	35	-	-
ZTN-01-01102	10mm x 1/2" (15mm fitting)	Elbow	brass	77	52	35	50	28

CHECK VALVES

ZTN-01 SERIES

Valvole di ritegno in
ottone / Radiator valves



CODE	SIZE	Push-ft adaptor	Material	A	B	C
ZTN-01-01103	15mm	No	brass	61	96	26
ZTN-01-01104	15mm	No	brass	61	96	26
ZTN-01-01105	15mm	No	brass	61	96	26
ZTN-01-01106	15mm	No	brass	61	96	26
ZTN-01-01107	15mm	No	brass	61	96	26



CODE	SIZE	Push-ft adaptor	Material	A	B	C	D	E	F
ZTN-01-01108	15mm	No	brass	61	101	26	61	52	26
ZTN-01-01109	15mm	No	brass	61	101	26	61	52	29
ZTN-01-01110	15mm	No	brass	61	101	26	61	52	29
ZTN-01-01111	15mm	No	brass	61	101	26	61	52	29
ZTN-01-01112	15mm	No	brass	61	101	26	61	52	29
ZTN-01-01113	15mm	No	brass	61	101	26	61	52	29



CODE	SIZE	Push-ft adaptor	Material	A	B	C
ZTN-01-01114	15mm x 1/2"	No	brass	61	52	29
ZTN-01-01115	10mm x 1/2"	No	brass	61	52	29



CODE	SIZE	Push-ft adaptor	Material	A	B	C
ZTN-01-01116	15mm x 1/2"	No	brass	61	52	29
ZTN-01-01117	10mm x 1/2"	No	brass	61	52	29



CODE	SIZE	Push-ft adaptor	Material	A	B	C
ZTN-01-01118	15mm x 1/2"	No	brass	69	62	36
ZTN-01-01119	10mm x 1/2"	No	brass	69	62	34

CHECK VALVES

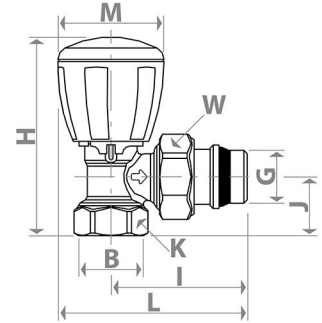
ZTN-01 SERIES

Valvole di ritegno in
ottone / Radiator valves



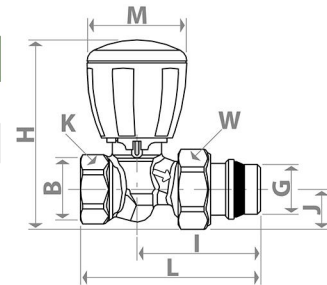
CODE	Connections	Material	Type of knob	Type of tail piece
ZTN-01-01120	G 3/4\"M x G 3/4\"F	Chrome plated brass	Micrometric handwheel	Tail piece without self-sealing
ZTN-01-01121	G 1\"M x G 1\"F	Chrome plated brass	Micrometric handwheel	Tail piece without self-sealing

CODE	G x B	H [mm]	I [mm]	J [mm]	K [mm]	L [mm]	M [mm]	W [mm]
ZTN-01-01120	3/4\" x 3/4\"	79	60	25	32	81	42	38
ZTN-01-01121	1\" x 1\"	98	72	31	39	94	42	46



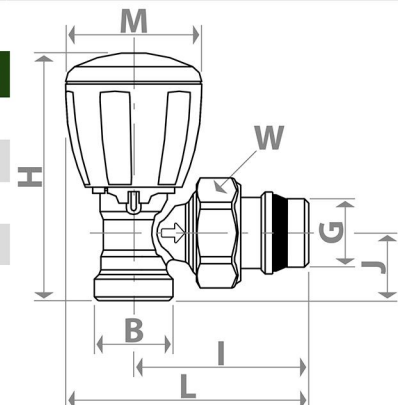
CODE	Connections	Material	Type of knob	Type of tail piece
ZTN-01-01122	G 3/4\"M x G 3/4\"F	Chrome plated brass	Micrometric handwheel	Tail piece without self-sealing
ZTN-01-01123	G 1\"M x G 1\"F	Chrome plated brass	Micrometric handwheel	Tail piece without self-sealing

CODE	G x B	H [mm]	I [mm]	J [mm]	K [mm]	L [mm]	M [mm]	W [mm]
ZTN-01-01122	3/4\" x 3/4\"	83	55	55	21	81	42	38
ZTN-01-01123	1\" x 1\"	95	64	64	26	105	42	46



CODE	Connections	Material	Type of tail piece
ZTN-01-01124	G 3/8\"M x Base 16	Chrome plated brass	Tail piece without self-sealing
ZTN-01-01125	G 1/2\"M x Base 16	Chrome plated brass	Tail piece without self-sealing
ZTN-01-01126	G 1/2\"M x Base 18	Chrome plated brass	Tail piece without self-sealing
ZTN-01-01127	G 1/2\"M x 3/4\"Eurocone	Chrome plated brass	Tail piece without self-sealing

CODE	G x B	H [mm]	I [mm]	J [mm]	L [mm]	M [mm]	W [mm]
ZTN-01-01124	3/8\" x 16	75	53	21	42	42	30
ZTN-01-01125	1/2\" x 16	75	53	21	42	42	30
ZTN-01-01126	1/2\" x 18	75	53	21	42	42	30
ZTN-01-01127	1/2\" x 3/4\"E	75	53	21	42	42	30



CHECK VALVES

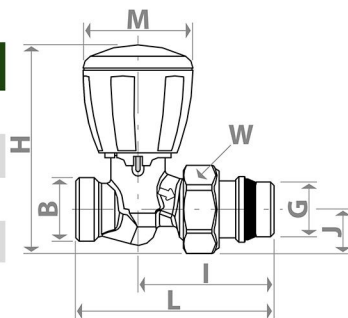
ZTN-01 SERIES

Valvole di ritegno in
ottone / Radiator valves



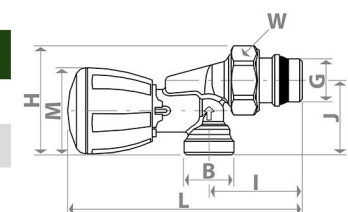
CODE	Connections	Material	Type of knob	Type of tail piece
ZTN-01-01128	G 3/8" M x Base 16	Chrome plated brass	Micrometric handwheel	Tail piece without self-sealing
ZTN-01-01129	G 1/2" M x Base 16	Chrome plated brass	Micrometric handwheel	Tail piece without self-sealing
ZTN-01-01130	G 1/2" M x Base 18	Chrome plated brass	Micrometric handwheel	Tail piece without self-sealing
ZTN-01-01131	G 1/2" M x 3/4" Eurocone	Chrome plated brass	Micrometric handwheel	Tail piece without self-sealing

CODE	G x B	H [mm]	I [mm]	J [mm]	L [mm]	M [mm]	W [mm]
ZTN-01-01128	3/8" x 16	79	51	17	74	42	30
ZTN-01-01129	1/2" x 16	79	51	17	75	42	30
ZTN-01-01130	1/2" x 18	79	51	17	76	42	30
ZTN-01-01131	1/2" x 3/4" E	79	51	17	76	42	30



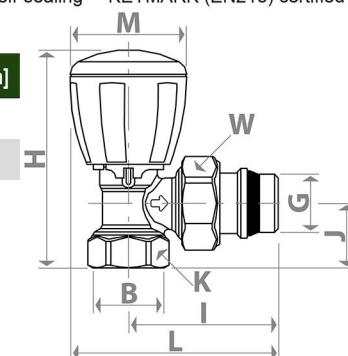
CODE	Connections	Material	Type of knob	Type of tail piece
ZTN-01-01132	G 1/2" M x Base 16	Chrome plated brass	Micrometric handwheel	Tail piece without self-sealing
ZTN-01-01133	G 1/2" M x Base 18	Chrome plated brass	Micrometric handwheel	Tail piece without self-sealing

CODE	G x B	H [mm]	I [mm]	J [mm]	L [mm]	M [mm]	W [mm]
ZTN-01-01132	1/2" x 16	53	45	36	113	42	30
ZTN-01-01133	1/2" x 18	53	45	37	113	42	30



CODE	Connections	Material	Type of knob	Type of tail piece	Notes
ZTN-01-01134	G 3/8" M x G 3/8" F	Chrome plated brass	Micrometric handwheel	Tail piece without self-sealing	KEYMARK (EN215) certified
ZTN-01-01135	G 1/2" M x G 1/2" F	Chrome plated brass	Micrometric handwheel	Tail piece without self-sealing	KEYMARK (EN215) certified
ZTN-01-01136	G 3/4" M x G 3/4" F	Chrome plated brass	Micrometric handwheel	Tail piece without self-sealing	KEYMARK (EN215) certified

CODE	G x B	H [mm]	I [mm]	J [mm]	K [mm]	L [mm]	M [mm]	W [mm]
ZTN-01-01134	3/8" x 3/8"	74	51	20	22	72	42	27
ZTN-01-01135	1/2" x 1/2"	78	53	23	26	74	42	30
ZTN-01-01136	3/4" x 3/4"	87	58	26	32	76	42	39



CHECK VALVES

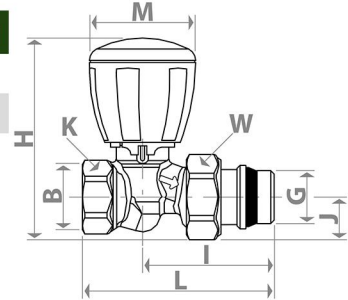
ZTN-01 SERIES

Valvole di ritegno in
ottone / Radiator valves



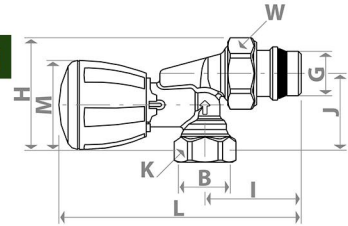
CODE	Connections	Material	Type of knob	Type of tail piece	Notes
ZTN-01-01137	G 3/8" M x G 3/8" F	Chrome plated brass	Micrometric handwheel	Tail piece without self-sealing	KEYMARK (EN215) certified
ZTN-01-01138	G 1/2" M x G 1/2" F	Chrome plated brass	Micrometric handwheel	Tail piece without self-sealing	KEYMARK (EN215) certified
ZTN-01-01139	G 3/4" M x G 3/4" F	Chrome plated brass	Micrometric handwheel	Tail piece without self-sealing	KEYMARK (EN215) certified

CODE	G x B	H [mm]	I [mm]	J [mm]	K [mm]	L [mm]	M [mm]	W [mm]
ZTN-01-01137	3/8" x 3/8"	77	54	15	22	76	42	27
ZTN-01-01138	1/2" x 1/2"	79	55	17	26	82	42	30
ZTN-01-01139	3/4" x 3/4"	89	61	22	32	93	42	38



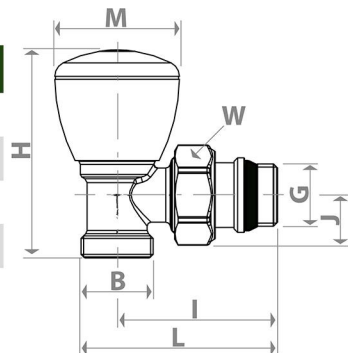
CODE	Connections	Material	Type of knob	Type of tail piece	Notes
ZTN-01-01140	G 1/2" M x G 1/2" F	Chrome plated brass	Micrometric handwheel	Tail piece without self-sealing	KEYMARK (EN215) certified

CODE	G x B	H [mm]	I [mm]	J [mm]	K [mm]	L [mm]	M [mm]	W [mm]
ZTN-01-01140	1/2" x 1/2"	53	53	36	25	121	42	30



CODE	Connections	Material	Type of knob	Type of tail piece
ZTN-01-01141	G 3/8" M x Base 16	Chrome plated brass	Micrometric handwheel	Tail piece without self-sealing
ZTN-01-01142	G 1/2" M x Base 16	Chrome plated brass	Micrometric handwheel	Tail piece without self-sealing
ZTN-01-01143	G 1/2" M x Base 18	Chrome plated brass	Micrometric handwheel	Tail piece without self-sealing
ZTN-01-01144	G 3/4" M x Base 18	Chrome plated brass	Micrometric handwheel	Tail piece without self-sealing
ZTN-01-01145	G 3/4" M x Base 22	Chrome plated brass	Micrometric handwheel	Tail piece without self-sealing

CODE	G x B	H [mm]	I [mm]	J [mm]	L [mm]	M [mm]	W [mm]
ZTN-01-01141	3/8" x 16	69	53	21	74	42	30
ZTN-01-01142	1/2" x 16	69	53	21	74	42	30
ZTN-01-01143	1/2" x 18	73	54	24	75	42	30
ZTN-01-01144	3/4" x 18	79	60	24	84	49	38
ZTN-01-01145	3/4" x 22	79	60	24	84	49	38



CHECK VALVES

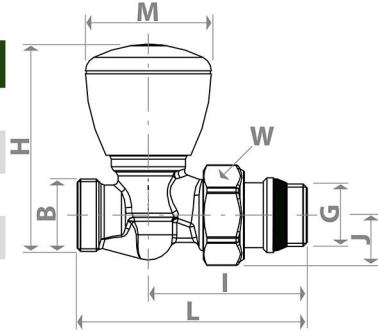
ZTN-01 SERIES

Valvole di ritegno in
ottone / Radiator valves



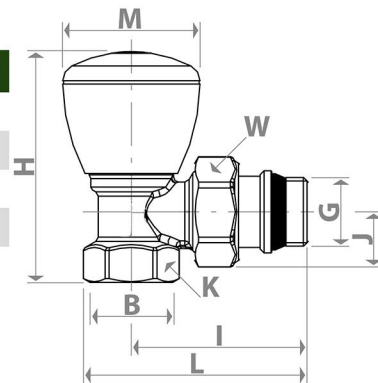
CODE	Connections	Material	Type of knob	Type of tail piece
ZTN-01-01146	G 3/8" M x Base 16	Chrome plated brass	Micrometric handwheel	Tail piece without self-sealing
ZTN-01-01147	G 1/2" M x Base 16	Chrome plated brass	Micrometric handwheel	Tail piece without self-sealing
ZTN-01-01148	G 1/2" M x Base 18	Chrome plated brass	Micrometric handwheel	Tail piece without self-sealing
ZTN-01-01149	G 3/4" M x Base 18	Chrome plated brass	Micrometric handwheel	Tail piece without self-sealing
ZTN-01-01150	G 3/4" M x Base 22	Chrome plated brass	Micrometric handwheel	Tail piece without self-sealing

CODE	G x B	H [mm]	I [mm]	J [mm]	L [mm]	M [mm]	W [mm]
ZTN-01-01146	3/8" x 16	73	52	17	75	42	30
ZTN-01-01147	1/2" x 16	73	52	17	76	42	30
ZTN-01-01148	1/2" x 18	73	52	17	77	42	30
ZTN-01-01149	3/4" x 18	87	55	21	81	49	38
ZTN-01-01150	3/4" x 22	87	55	21	91	49	38



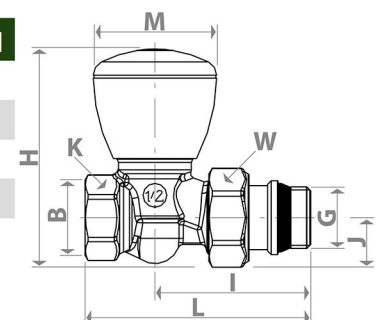
CODE	Connections	Material	Type of knob	Type of tail piece
ZTN-01-01151	G 3/8" M x G 3/8" F	Chrome plated brass	Micrometric handwheel	Tail piece without self-sealing
ZTN-01-01152	G 1/2" M x G 1/2" F	Chrome plated brass	Micrometric handwheel	Tail piece without self-sealing
ZTN-01-01153	G 3/4" M x G 3/4" F	Chrome plated brass	Micrometric handwheel	Tail piece without self-sealing
ZTN-01-01154	G 1" M x G 1" F	Chrome plated brass	Micrometric handwheel	Tail piece without self-sealing
ZTN-01-01155	G 1-1/4" M x G 1-1/4" F	Chrome plated brass	Micrometric handwheel	Tail piece without self-sealing

CODE	G x B	H [mm]	I [mm]	J [mm]	K [mm]	L [mm]	M [mm]	W [mm]
ZTN-01-01151	3/8" x 3/8"	65	50	19	22	71	42	27
ZTN-01-01152	1/2" x 1/2"	70	53	21	26	74	42	30
ZTN-01-01153	3/4" x 3/4"	79	60	23	32	84	49	38
ZTN-01-01154	1" x 1"	87	68	30	39	92	49	46
ZTN-01-01155	1-1/4" x 1-1/4"	93	81	34	49	110	49	53



CODE	Connections	Material	Type of knob	Type of tail piece
ZTN-01-01156	G 3/8" M x G 3/8" F	Chrome plated brass	Micrometric handwheel	Tail piece without self-sealing
ZTN-01-01157	G 1/2" M x G 1/2" F	Chrome plated brass	Micrometric handwheel	Tail piece without self-sealing
ZTN-01-01158	G 3/4" M x G 3/4" F	Chrome plated brass	Micrometric handwheel	Tail piece without self-sealing
ZTN-01-01159	G 1" M x G 1" F	Chrome plated brass	Micrometric handwheel	Tail piece without self-sealing
ZTN-01-01160	G 1-1/4" M x G 1-1/4" F	Chrome plated brass	Micrometric handwheel	Tail piece without self-sealing

CODE	G x B	H [mm]	I [mm]	J [mm]	K [mm]	L [mm]	M [mm]	W [mm]
ZTN-01-01156	3/8" x 3/8"	69	56	15	22	77	42	27
ZTN-01-01157	1/2" x 1/2"	73	60	17	26	84	42	30
ZTN-01-01158	3/4" x 3/4"	86	55	21	32	81	49	38
ZTN-01-01159	1" x 1"	93	69	26	39	106	49	46
ZTN-01-01160	1-1/4" x 1-1/4"	97	85	30	49	135	49	53



CHECK VALVES

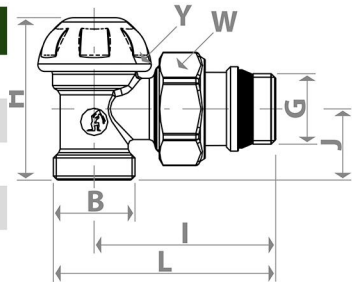
ZTN-01 SERIES

Valvole di ritegno in
ottone / Radiator valves



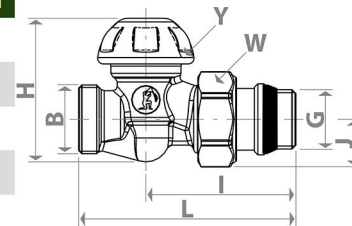
CODE	Connections	Material	Type of knob	Type of tail piece
ZTN-01-01161	G 3/8" M x Base 16	Chrome plated brass	Micrometric handwheel	Tail piece without self-sealing
ZTN-01-01162	G 1/2" M x Base 16	Chrome plated brass	Micrometric handwheel	Tail piece without self-sealing
ZTN-01-01163	G 1/2" M x Base 18	Chrome plated brass	Micrometric handwheel	Tail piece without self-sealing
ZTN-01-01164	G 3/4" M x Base 18	Chrome plated brass	Micrometric handwheel	Tail piece without self-sealing
ZTN-01-01165	G 3/4" M x Base 22	Chrome plated brass	Micrometric handwheel	Tail piece without self-sealing

CODE	G x B	H [mm]	I [mm]	J [mm]	L [mm]	Y [mm]	W [mm]
ZTN-01-01161	3/8" x 16	47	53	21	70	-	30
ZTN-01-01162	1/2" x 16	47	53	21	70	-	30
ZTN-01-01163	1/2" x 18	50	54	24	71	-	30
ZTN-01-01164	3/4" x 18	54	60	24	79	35	38
ZTN-01-01165	3/4" x 22	61	60	31	79	35	38



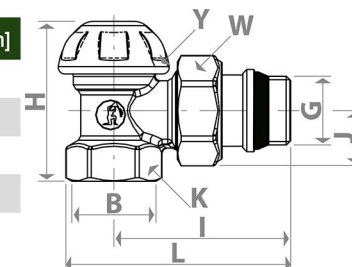
CODE	Connections	Material	Type of knob	Type of tail piece
ZTN-01-01166	G 3/8" M x Base 16	Chrome plated brass	Micrometric handwheel	Tail piece without self-sealing
ZTN-01-01167	G 1/2" M x Base 16	Chrome plated brass	Micrometric handwheel	Tail piece without self-sealing
ZTN-01-01168	G 1/2" M x Base 18	Chrome plated brass	Micrometric handwheel	Tail piece without self-sealing
ZTN-01-01169	G 3/4" M x Base 18	Chrome plated brass	Micrometric handwheel	Tail piece without self-sealing
ZTN-01-01170	G 3/4" M x Base 22	Chrome plated brass	Micrometric handwheel	Tail piece without self-sealing

CODE	G x B	H [mm]	I [mm]	J [mm]	L [mm]	Y [mm]	W [mm]
ZTN-01-01166	3/8" x 16	51	52	17	75	-	30
ZTN-01-01167	1/2" x 16	51	52	17	76	-	30
ZTN-01-01168	1/2" x 18	51	52	17	77	-	30
ZTN-01-01169	3/4" x 18	62	54	21	80	35	38
ZTN-01-01170	3/4" x 22	62	54	21	84	35	38



CODE	Connections	Material	Type of knob	Type of tail piece
ZTN-01-01171	G 3/8" M x G 3/8" F	Chrome plated brass	Micrometric handwheel	Tail piece without self-sealing
ZTN-01-01172	G 1/2" M x G 1/2" F	Chrome plated brass	Micrometric handwheel	Tail piece without self-sealing
ZTN-01-01173	G 3/4" M x G 3/4" F	Chrome plated brass	Micrometric handwheel	Tail piece without self-sealing
ZTN-01-01174	G 1" M x G 1" F	Chrome plated brass	Micrometric handwheel	Tail piece without self-sealing
ZTN-01-01175	G 1-1/4" M x G 1-1/4" F	Chrome plated brass	Micrometric handwheel	Tail piece without self-sealing

CODE	G x B	H [mm]	I [mm]	J [mm]	K [mm]	L [mm]	Y [mm]	W [mm]
ZTN-01-01171	3/8" x 3/8"	43	50	19	22	66	-	27
ZTN-01-01172	1/2" x 1/2"	47	53	21	26	70	-	30
ZTN-01-01173	3/4" x 3/4"	54	60	23	32	79	35	38
ZTN-01-01174	1" x 1"	72	68	30	39	90	40	46
ZTN-01-01175	1-1/4" x 1-1/4"	80	80	34	49	108	45	53



Bornic Family of Brands

BORNIC(zhejiang Bornic Fluid ControlCo.,Ltd.)was established in 2005 in Yuhuan City,zhejiang Province. With 50 employees boasting nearly 20 years of industrial experience,our 5000-square-meterfacility strictly adheres to Iso quality management systems.

Our products hold EU CE,ACS,WARS,and CUPC certifications,ensuring quality and safety. With an annual output value of \$ 5 million USD, our insured products cater to global markets, adhering to European and other standards with customized services available.Specializing in premium brass fittings and valves,our innovative approach has garnered support in over 50 countries.



Add:TAIZHOU,ZHEJIANG PROVINCE,PR.CHINA

Url:www.brasspushfit.com

Emi:info@zjbornic.com

Tel:+86-576-80735234