



BORNIC

ZTN-016 SERIES



CHECK VALVES

IN-LINE BRASS CHECK VALVES

PREMIER FLOW CONTROL OFFERING



Brass Valves: Visual Index

Table of Contents

Visual Index.....H2

Check Valves.....H3-H10
 Great for back backflow prevention, the ZTN-16 brass swing check valve (also known as a tilting disc check valve) offers a simple dependable way to keep materials flowing in one direction. A disc in the valve opens in only one direction and closes when fluids run the other way. The check valve includes female connections.

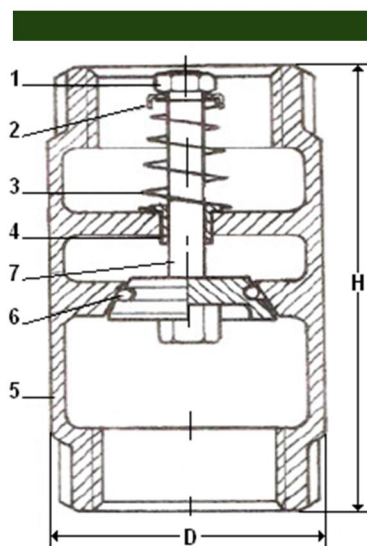
About Us.....H11



CHECK VALVES

ZTN-016 SERIES

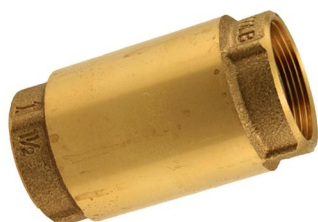
Valvole di ritegno in ottone / Brass check valves



No.	PART	MATERIALS
1	Stem Nut	Stainless Steel
2	Spring Holder	Stainless Steel
3	Spring	Stainless Steel
4	Stem House	Polyacetal
5	Body	Brass
6	O-Ring	BUNA-N
7	Stem	Brass



CODE	SIZE(S)	H	D	CONNECT
ZTN-016-001	1/2"	2.4	1.26	Support customization
ZTN-016-002	3/4"	2.74	1.5	
ZTN-016-003	1"	3.23	1.77	
ZTN-016-004	1-1/4"	3.63	2.13	
ZTN-016-005	1-1/2"	4.04	2.36	
ZTN-016-006	2"	5.04	3.03	
ZTN-016-007	1/2"	2.85	1.26	
ZTN-016-008	3/4"	3.53	1.50	
ZTN-016-009	1"	4.09	1.77	
ZTN-016-010	1-1/4"	4.67	2.17	
ZTN-016-011	1-1/2"	4.93	2.36	
ZTN-016-012	2"	6.06	3.03	



CODE	SIZE(S)	B	C	D	L	CONNECT
ZTN-016-013	1/2" FPT	1.22	0.37	1.61	2.36	Support customization
ZTN-016-014	3/4" FPT	1.46	0.39	1.85	2.64	
ZTN-016-015	1" FPT	1.73	0.45	2.24	3.15	
ZTN-016-016	1-1/4" FPT	2.09	0.53	2.48	3.54	
ZTN-016-017	1-1/2" FPT	2.36	0.61	2.82	3.94	
ZTN-016-018	2" FPT	2.95	0.65	3.43	4.72	
ZTN-016-019	3" FPT	4.13	1.18	5.00	7.36	
ZTN-016-020	4" FPT	5.51	1.97	6.46	10.39	

CHECK VALVES

ZTN-016 SERIES

Valvole di ritegno in
ottone / Brass check
valves



CODE	SIZE(S)	A	B	C	CONNECT
ZTN-016-021	2"	3.15	5	1.77	Support customization
ZTN-016-022	2½"	4.0	6.00	2.13	
ZTN-016-023	3"	4.65	7.4	2.25	
ZTN-016-024	4"	5.43	7.75	3.0	
ZTN-016-025	2"	3.15	5.67	1.77	
ZTN-016-026	2½"	4.0	6.44	2.13	
ZTN-016-027	3"	4.65	7.63	2.25	
ZTN-016-028	4"	5.43	8.19	3.0	
ZTN-016-029	2"	3.15	5.67	1.77	
ZTN-016-030	2½"	4	6.44	2.13	
ZTN-016-031	3"	4.65	7.63	2.25	
ZTN-016-032	4"	5.43	7.95	3.0	



CODE	SIZE(S)	ØA	C	D	CONNECT
ZTN-016-033	1/2"	30,0	50,0	7,5	Support customization
ZTN-016-034	2½"	36,5	57,0	8,5	
ZTN-016-035	1"	43,0	65,0	10,5	
ZTN-016-036	1 1/4"	53,0	70,0	11	
ZTN-016-037	1 1/2 "	64,5	75,5	12	
ZTN-016-038	2"	79,5	81,5	14	
ZTN-016-039	2 1/2 "	104	104	22	
ZTN-016-040	3"	124	113	23,5	
ZTN-016-041	4"	155	132	27	



CODE	SIZE(S)	Flow Rate (Cv)	Overall Length	Valve Diameter	CONNECT
ZTN-016-042	3/8"	2 GPM	2.63"	1.16"	Support customization
ZTN-016-043	1/2"	4 GPM	2.69"	1.40"	
ZTN-016-044	3/4"	6 GPM	3.31"	1.62"	
ZTN-016-045	1"	13 GPM	3.69"	2.00"	
ZTN-016-046	1-1/4"	24 GPM	4.57"	2.41"	
ZTN-016-047	1-1/2"	38 GPM	4.88"	2.69"	
ZTN-016-048	2"	61 GPM	5.56"	3.34"	
ZTN-016-049	2-1/2"	69 GPM	6.79"	3.81"	
ZTN-016-050	3" **	185 GPM	7.40"	4.71"	
ZTN-016-051	3" *	69 GPM	6.79"	3.81"	

CHECK VALVES

ZTN-016 SERIES

Valvole di ritegno in
ottone / Brass check
valves



CODE	SIZE(S)	Flow Rate (Cv)	Overall Length	Valve Diameter	CONNECT
ZTN-016-052	3/8"	2 GPM	2.63"	1.16"	Support customization
ZTN-016-053	1/2"	4 GPM	2.69"	1.40"	
ZTN-016-054	3/4"	6 GPM	3.31"	1.62"	
ZTN-016-055	1"	13 GPM	3.69"	2.00"	
ZTN-016-056	1-1/4"	24 GPM	4.57"	2.41"	
ZTN-016-057	1-1/2"	38 GPM	4.88"	2.69"	
ZTN-016-058	2"	61 GPM	5.56"	3.34"	
ZTN-016-059	2-1/2"	69 GPM	6.79"	3.81"	
ZTN-016-060	3" **	185 GPM	7.40"	4.71"	
ZTN-016-061	3" *	69 GPM	6.79"	3.81"	
ZTN-016-062	4"	205 GPM	10.00"	5.80"	



CODE	SIZE(S)	Flow Rate (Cv)	Overall Length	Valve Diameter	CONNECT
ZTN-016-063	1"	13 GPM	3.69"	2.00"	Support customization
ZTN-016-064	1-1/4"	24 GPM	4.57"	2.41"	
ZTN-016-065	1-1/2"	38 GPM	4.88"	2.69"	
ZTN-016-066	2"	61 GPM	5.56"	3.34"	
ZTN-016-067	2-1/2"	69 GPM	6.79"	3.81"	
ZTN-016-068	3" *	185 GPM	7.40"	4.71"	
ZTN-016-069	3" **	69 GPM	6.79"	3.81"	
ZTN-016-070	4"	205 GPM	10.00"	5.80"	



CODE	SIZE(S)	Flow Rate (Cv)	Overall Length	Valve Diameter	CONNECT
ZTN-016-071	1"	13 GPM	3.69"	2.00"	Support customization
ZTN-016-072	1-1/4"	24 GPM	4.57"	2.41"	
ZTN-016-073	1-1/2"	38 GPM	4.88"	2.69"	
ZTN-016-074	2"	61 GPM	5.56"	3.34"	
ZTN-016-075	2-1/2"	69 GPM	6.79"	3.81"	
ZTN-016-076	3" *	185 GPM	7.40"	4.71"	
ZTN-016-077	3" **	69 GPM	6.79"	3.81"	
ZTN-016-078	4"	205 GPM	10.00"	5.80"	



CODE	SIZE(S)	ΦA [in]	H[in]	Cv	Wt.[lb]	CONNECT
ZTN-016-079	1/2"	1.18	1.89	3.33	0.24	Support customization
ZTN-016-080	3/4"	1.46	2.1	6.05	0.34	
ZTN-016-081	1"	1.77	2.32	9.88	0.52	
ZTN-016-082	1 1/4"	2.2	2.64	15.9	0.76	
ZTN-016-083	1 1/2"	2.48	2.76	22	1.04	
ZTN-016-084	2"	3.11	3.2	38.1	1.60	

CHECK VALVES

ZTN-016 SERIES

Valvole di ritegno in
ottone / Brass check
valves



CODE	SIZE(S)	A NPT	B	C	Weight	CONNECT
ZTN-016-085	1/4"	1/4"	1	2.29	.24	Support customization
ZTN-016-086	3/8"	3/8"	1.0	2.07	.23	
ZTN-016-087	1/2"	1/2"	1.26	2.40	.42	
ZTN-016-088	3/4"	3/4"	1.45	2.74	.53	
ZTN-016-089	1"	1"	1.77	3.23	.85	
ZTN-016-090	1-1/4"	1-1/4"	2.1	3.62	1.18	
ZTN-016-091	1-1/2"	1-1/2"	2.29	4.04	1.40	



CODE	SIZE(S)	I	PSI	LBS	CONNECT
ZTN-016-092	1/4"	0.39	400	0.22	Support customization
ZTN-016-093	3/8"	0.4	400	0.18	
ZTN-016-094	1/2"	0.6	400	0.32	
ZTN-016-095	3/4"	0.65	400	0.49	
ZTN-016-096	1"	0.66	400	0.71	
ZTN-016-097	1-1/4"	0.68	400	1.13	
ZTN-016-098	1-1/2"	0.68	400	1.53	
ZTN-016-099	2"	0.69	400	2.28	
ZTN-016-100	2-1/2"	0.93	175	4.83	
ZTN-016-101	3"	1.01	175	6.70	
ZTN-016-102	4"	1.09	175	12.43	



CODE	G	D(mm)	L(mm)	CH	Opening pressure	Kv (m3/h)	CONNECT
ZTN-016-103	G3/8"	34.5	46.5	SW 21	0.02 bar	2.11	Support customization
ZTN-016-104	G1/2"	34.5	47.0	SW 26	0.02 bar	4.22	
ZTN-016-105	G3/4"	42	53.0	SW 32	0.02 bar	7.92	
ZTN-016-106	G1"	47.5	60.5	SW 39	0.02 bar	11.67	
ZTN-016-107	G1-1/4"	59.5	66.5	SW 47	0.02 bar	22.42	
ZTN-016-108	G1-1/2"	70.5	74.0	SW 55	0.02 bar	29.39	
ZTN-016-109	G2"	86	80.0	SW 66	0.02 bar	51.40	
ZTN-016-110	G2-1/2"	102	98.0	SW 83	0.02 bar	69.90	
ZTN-016-111	G3"	125	103.0	SW 96	0.02 bar	98.49	
ZTN-016-112	G4"	154	118.5	SW 123	0.02 bar	157.91	



CODE	A	B	MNPT	FNPT	CONNECT
ZTN-016-113	1.65	0.68	1/8"	1/8"	Support customization
ZTN-016-114	1.77	0.68	1/4"	1/4"	
ZTN-016-115	2.42	1	3/8"	3/8"	
ZTN-016-116	2.4	1	1/2"	1/2"	

CHECK VALVES

ZTN-016 SERIES

Valvole di ritegno in
ottone / Brass check
valves



CODE	A	B	MNPT	FNPT	CONNECT
ZTN-016-117	1.65	0.68	1/8"	1/8"	Support customization
ZTN-016-118	1.77	0.68	1/4"	1/4"	
ZTN-016-119	2.39	1	3/8"	3/8"	
ZTN-016-120	2.50	1	1/2"	1/2"	



CODE	A	B	MNPT	FNPT	CONNECT
ZTN-016-121	1.65	0.68	1/8"	1/8"	Support customization
ZTN-016-122	1.77	0.68	1/4"	1/4"	
ZTN-016-123	2.32	1	3/8"	3/8"	
ZTN-016-124	2.49	1	1/2"	1/2"	



CODE	SIZE	L	H	F1	H1	L1	CONNECT
ZTN-016-125	3/8"	45	28	8	50	26	Support customization
ZTN-016-126	1/2"	48	30	8	50	26	
ZTN-016-127	3/4"	53	37	9	57	32	
ZTN-016-128	1"	89	44	9	57	41	
ZTN-016-129	1 1/4"	66	56	11	68	48	
ZTN-016-130	1 1/2"	71	67	11	78	55	
ZTN-016-131	2"	80	78	12	95	68	
ZTN-016-132	2 1/2"	93	103	13	98	86	
ZTN-016-133	3"	104	111	14	113	99	
ZTN-016-134	4"	119	140	14	131	122	

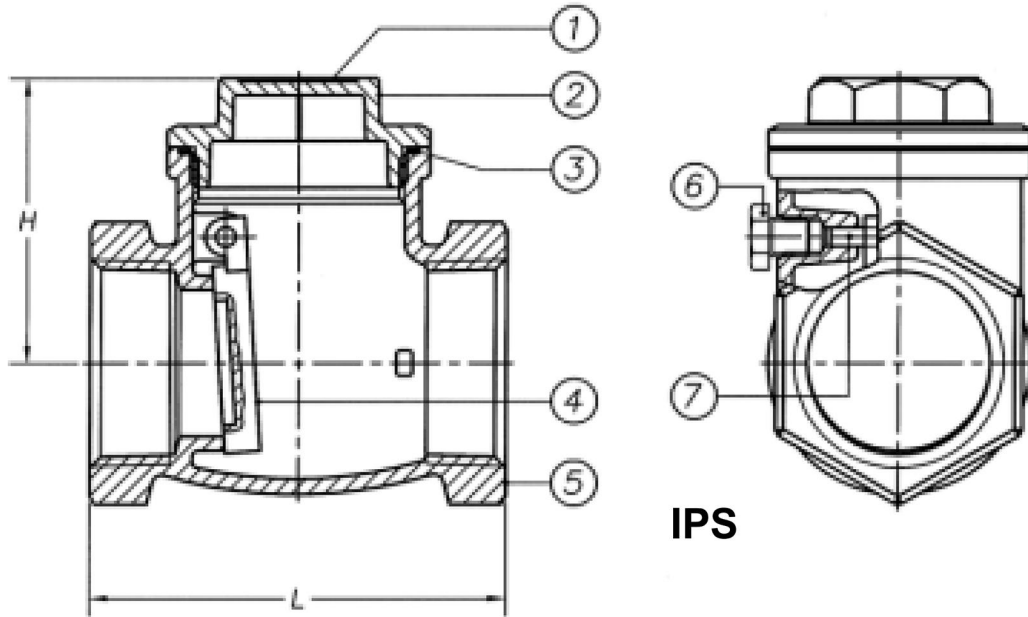


CODE	SIZE		L (mm)	Connection	Working pressure	CONNECT
	Inch	DN				
ZTN-016-135	1/2"	15	59	BSPT / NPT	PN 16	Support customization
ZTN-016-136	3/4"	20	67	BSPT / NPT	PN 16	
ZTN-016-137	1"	25	74	BSPT / NPT	PN 16	
ZTN-016-138	1-1/4"	32	86	BSPT / NPT	PN 16	
ZTN-016-139	1-1/2"	40	93	BSPT / NPT	PN 16	
ZTN-016-140	2"	50	108	BSPT / NPT	PN 16	
ZTN-016-141	2-1/2"	65	115	BSPT / NPT	PN 16	
ZTN-016-142	3"	80	128	BSPT / NPT	PN 16	
ZTN-016-143	4"	100	151	BSPT / NPT	PN 16	

CHECK VALVES

ZTN-016 SERIES

Valvole di ritegno in
ottone / Brass check
valves



NO.	PART	MATERIALS
1	Name Plate	Aluminum A1100
2	Cap	Brass B584 C85710
3	Packing	Fibre "H"
4	Disc	Brass B584 C85710
5	Body	Brass B584 C85710
6	Bolt	Brass B16 C36000
7	Pin	Brass B124 C37700



CODE	SIZE	H	L (IPS)	L (CXC)	Weight (lbs)	CONNECT
ZTN-016-144	3/8"	1.42	2.09	-	0.39	Support customization
ZTN-016-145	1/2"	1.42	2.09	2.40	0.42	
ZTN-016-146	3/4"	1.56	2.36	3.15	0.55	
ZTN-016-147	1"	1.77	2.62	3.51	0.75	
ZTN-016-148	1 1/4"	2.07	3.19	4.16	1.34	
ZTN-016-149	1 1/2"	2.17	3.55	4.57	1.69	
ZTN-016-150	2"	2.74	4.22	5.48	2.64	
ZTN-016-151	2 1/2"	3.09	5.14	6.90	4.80	
ZTN-016-152	3"	3.80	5.77	7.68	6.87	
ZTN-016-153	4"	4.26	6.84	9.48	11.36	

CHECK VALVES

ZTN-016 SERIES

Valvole di ritegno in
ottone / Brass check
valves



CODE	SIZE		L (mm)	Connection	Working pressure	CONNECT
	Inch	DN				
ZTN-016-144	15	50	35	BSPT / NPT	PN 16	Support customization
ZTN-016-145	20	60	40	BSPT / NPT	PN 16	
ZTN-016-146	25	74	47	BSPT / NPT	PN 16	
ZTN-016-147	32	84	53	BSPT / NPT	PN 16	
ZTN-016-148	40	94	60	BSPT / NPT	PN 16	
ZTN-016-149	50	114	70	BSPT / NPT	PN 16	
ZTN-016-150	65	146	86	BSPT / NPT	PN 16	
ZTN-016-151	80	165	102	BSPT / NPT	PN 16	
ZTN-016-152	100	192	122	BSPT / NPT	PN 16	



CODE	SIZE	Ød	L	H	Weight (lbs)	CONNECT
ZTN-016-154	1/2"	0.51	2.88	1.38	0.57	Support customization
ZTN-016-155	3/4"	0.71	3.27	1.56	0.80	
ZTN-016-156	1"	0.91	3.62	1.77	1.13	
ZTN-016-157	1-1/4"	1.18	4.04	2.11	1.86	
ZTN-016-158	1-1/2"	1.38	4.98	2.34	2.47	
ZTN-016-159	2"	1.77	5.99	2.60	3.83	



CODE	SIZE	A	B	Weight (lbs)	CONNECT
ZTN-016-160	3/8"	2.08	1.42	0.4	Support customization
ZTN-016-161	1-1/2"	2.08	1.42	0.4	
ZTN-016-162	3/4"	2.36	1.55	0.5	
ZTN-016-163	1"	2.62	1.77	0.7	
ZTN-016-164	1-1/4"	3.19	2.06	1.3	
ZTN-016-165	1-1/2"	3.54	2.16	1.6	
ZTN-016-166	2"	4.21	2.74	2.6	
ZTN-016-167	2-1/2"	5.14	3.10	4.5	
ZTN-016-168	3"	5.77	3.80	6.6	
ZTN-016-169	4"	6.84	4.25	11.4	

CHECK VALVES

ZTN-016 SERIES

Valvole di ritegno in
ottone / Brass check
valves



CODE	SIZE	A	B	Weight (lbs)	CONNECT
ZTN-016-170	1/2"	2.40	1.40	0.4	Support customization
ZTN-016-171	3/4"	3.15	1.50	0.4	
ZTN-016-172	1"	3.50	1.73	0.7	
ZTN-016-173	1-1/4"	4.15	2.07	1.3	
ZTN-016-174	1-1/2"	4.60	2.12	1.6	
ZTN-016-175	2"	5.47	2.67	2.6	
ZTN-016-176	2-1/2"	6.89	3.10	4.5	



CODE	SIZE	A	B	CONNECT
ZTN-016-177	1/2"	2.13	1.28	Support customization
ZTN-016-178	3/4"	2.33	1.62	
ZTN-016-179	1"	2.72	1.77	
ZTN-016-180	1-1/4"	3.11	1.92	
ZTN-016-181	1-1/2"	3.51	2.30	
ZTN-016-182	2"	4.30	2.68	
ZTN-016-183	2-1/2"	5.32	3.35	
ZTN-016-184	3"	5.78	3.86	
ZTN-016-185	4"	6.84	4.53	



CODE	SIZE	A	B	CONNECT
ZTN-016-186	1/2"	2.52	1.54	Support customization
ZTN-016-187	3/4"	1.54	1.62	
ZTN-016-188	1"	3.51	1.77	
ZTN-016-189	1-1/4"	4.16	2.01	
ZTN-016-190	1-1/2"	4.53	2.25	
ZTN-016-191	2"	5.46	2.68	



CODE	SIZE	A	B	H	CONNECT
ZTN-016-192	1/2"	13	52	42	Support customization
ZTN-016-193	3/4"	14	62	45	
ZTN-016-194	1"	15	71	54	
ZTN-016-195	1 1/4"	18	84	64	
ZTN-016-196	1 1/2"	18	87	67	
ZTN-016-197	2"	20	106	72	

Bornic Family of Brands

BORNIC(zhejiang Bornic Fluid ControlCo.,Ltd.)was established in 2005 in Yuhuan City,zhejiang Province. With 50 employees boasting nearly 20 years of industrial experience,our 5000-square-meterfacility strictly adheres to Iso quality management systems.

Our products hold EU CE,ACS,WARS,and CUPC certifications,ensuring quality and safety. With an annual output value of \$ 5 million USD, our insured products cater to global markets, adhering to European and other standards with customized services available.Specializing in premium brass fittings and valves,our innovative approach has garnered support in over 50 countries.



Add:TAIZHOU,ZHEJIANG PROVINCE,PR.CHINA

Url:www.brasspushfit.com

Emi:info@zjbornic.com

Tel:+86-576-80735234