



# BORNIC

## ZTN-02

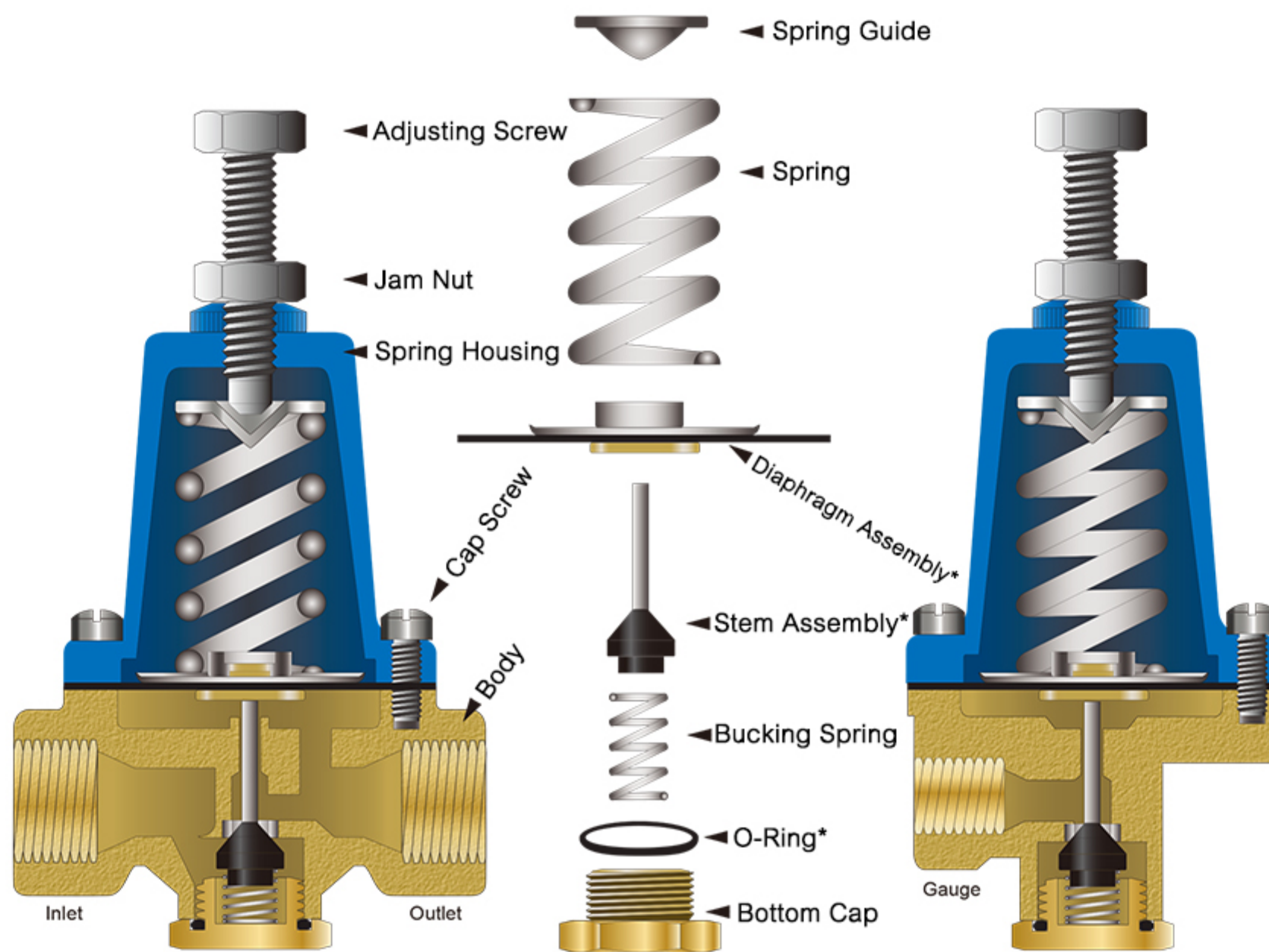
### SERIES



PRESSURE REDUCING  
VALVE



# ZTN-02 SERIES



Brass Valves: Visual Index

## Table of Contents

Visual Index.....H2

Pressure reducing valve.....H3-H17

Supports customization of brass, bronze, stainless steel and other materials,  
with multiple European product certificates

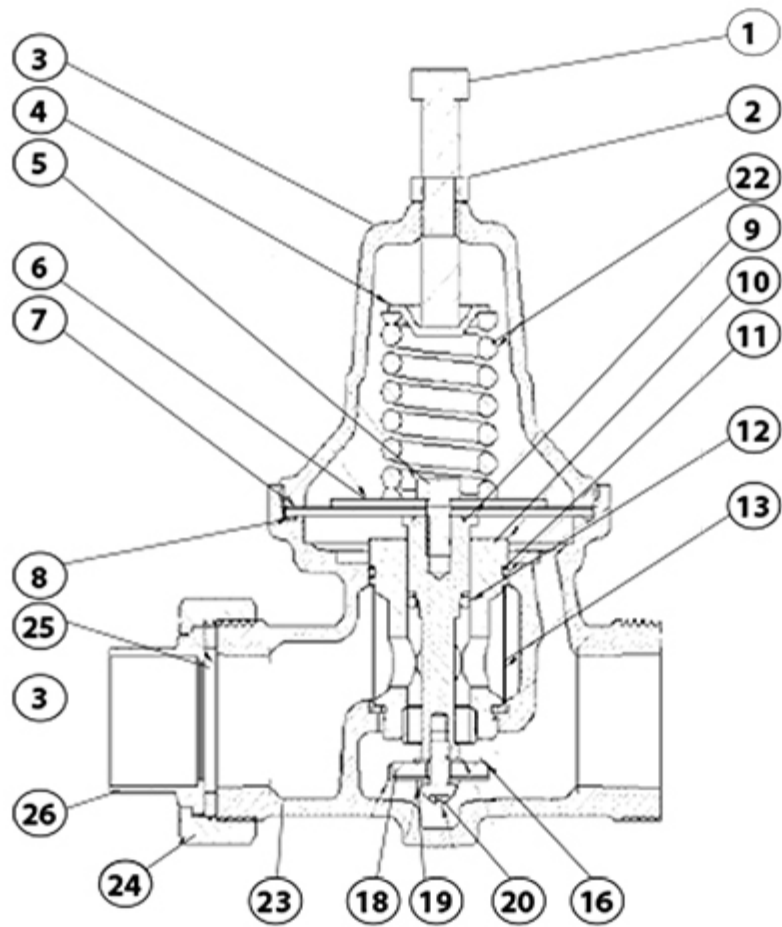
ABOUT US.....H18





# PRESSURE REDUCING VALVE

## ZNT-02 SERIES



### MATERIALS

Item	Description
1	Adj. Screw (Zinc Plated Stl.)
2	Hex Nut (Zinc Plated Stl.)
3	Cap (Cast Bronze)
4	Spring Disc (Zinc Plated Steel)
5	Cartridge Bolt
6	Pressure Plate (Zinc Plated Steel)
7	Friction Ring (Zinc Plated Steel)
8	Diaphragm (FDA Nitrile)
9	Stem (Brass)
10	Cartridge Housing (Brass)
11	O-ring (FDA Nitrile)
12	O-ring (FDA Nitrile)
13	Screen (300 Series SS)

Item	Description
14	Seal, Cartridge (Polypropylene)
15	Seat Ring (300 Series SS)
16	Washer (Brass)
17	Seat Disc (FDA EPDM)
18	Seat Holder (Brass)
19	Washer (Polypropylene)
20	Seat Screw (300 Series SS)
21	Nameplate (Aluminum)
22	Spring (ASTM 228 Music Wire)
23	Body, Machined (Cast Bronze)
24	Union Nut (Cast Bronze)
25	Union Washer (FDA Nitrile)
26	Union Tail Piece (Brass)



CODE	SIZE(S)	PRESSURE	CONNECT
ZTN-02022	1/2" (DN 15)	≤300pis	Available in options such as high or low-pressure settings, gauge ports, etc. (Supportcusto mization)
ZTN-02023	3/4" (DN 20)	≤300pis	
ZTN-02024	1" (DN 25)	≤300pis	
ZTN-02025	1 1/4" (DN 32)	≤300pis	
ZTN-02026	1 1/2" (DN 40)	≤300pis	
ZTN-02027	2" (DN 50)	≤300pis	



CODE	SIZE(S)	PRESSURE	CONNECT
ZTN-02028	1/2" (DN 15)	≤400pis	Available with threaded, solder, PEX, CPVC, or press end connections (Supportcusto mization)
ZTN-02029	3/4" (DN 20)	≤400pis	
ZTN-02030	1" (DN 25)	≤400pis	
ZTN-02031	1 1/4" (DN 32)	≤400pis	
ZTN-02032	1 1/2" (DN 40)	≤400pis	
ZTN-02033	2" (DN 50)	≤400pis	

# PRESSURE REDUCING VALVE

## ZNT-02 SERIES



CODE	SIZE(S)	PRESSURE	CONNECT
ZTN-02034	1/2" (DN 15)	≤300pis	Available with threaded, solder, PEX, CPVC, Quick-Connect, or press end connections (Supportcustomization)
ZTN-02035	3/4" (DN 20)	≤300pis	
ZTN-02036	1" (DN 25)	≤300pis	
ZTN-02037	1 1/4" (DN 32)	≤300pis	
ZTN-02038	1 1/2" (DN 40)	≤300pis	
ZTN-02039	2" (DN 50)	≤300pis	



CODE	SIZE(S)	PRESSURE	CONNECT
ZTN-02040	1/2" (DN 15)	≤300pis	Available in a range of end connection and pressure setting options (Supportcustomization)
ZTN-02041	3/4" (DN 20)	≤300pis	
ZTN-02042	1" (DN 25)	≤300pis	
ZTN-02043	1 1/4" (DN 32)	≤300pis	
ZTN-02044	1 1/2" (DN 40)	≤300pis	
ZTN-02045	2" (DN 50)	≤300pis	



CODE	SIZE(S)	PRESSURE	CONNECT
ZTN-02046	1/2" (DN 15)	25bar/362.5psi	Available in options such as strainer, bypass, flanged ends, high-pressure or low-pressure settings (Supportcustomization)
ZTN-02047	3/4" (DN 20)	25bar/362.5psi	
ZTN-02048	1" (DN 25)	25bar/362.5psi	
ZTN-02049	1 1/4" (DN 32)	25bar/362.5psi	
ZTN-02050	1 1/2" (DN 40)	25bar/362.5psi	
ZTN-02051	2" (DN 50)	25bar/362.5psi	



# PRESSURE REDUCING VALVE

## ZNT-02 SERIES



CODE	SIZE(S)	PRESSURE	CERTIFIED
ZTN-02052	1/2" (DN 15)	≤300pis	ASSE® Listed 1003, cUPC® Listed, CSA® Certified
ZTN-02053	3/4" (DN 20)	≤300pis	
ZTN-02054	1" (DN 25)	≤300pis	



CODE	SIZE(S)	PRESSURE	CERTIFIED
ZTN-02055	1/2" (DN 15)	≤300pis	ASSE® Listed 1003, cUPC® Listed, CSA® Certified
ZTN-02056	3/4" (DN 20)	≤300pis	
ZTN-02057	1" (DN 25)	≤300pis	



CODE	SIZE(S)	PRESSURE	CERTIFIED
ZTN-02058	1/2" (DN 15)	≤300pis	ASSE® Listed 1003, cUPC® Listed, CSA® Certified
ZTN-02059	3/4" (DN 20)	≤300pis	
ZTN-02060	1" (DN 25)	≤300pis	
ZTN-02061	1 1/4" (DN 32)	≤300pis	
ZTN-02062	1 1/2" (DN 40)	≤300pis	
ZTN-02063	2" (DN 50)	≤300pis	

# PRESSURE REDUCING VALVE

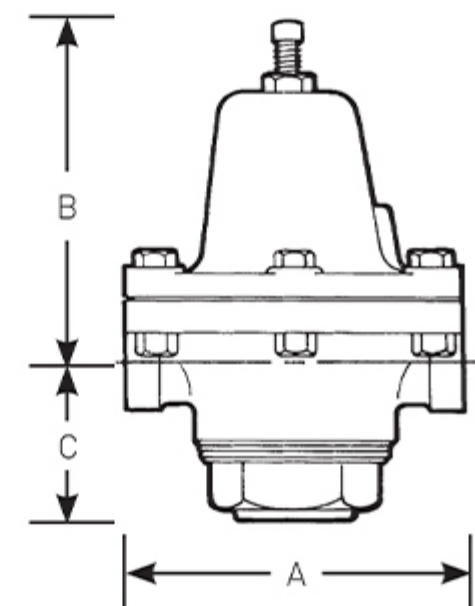
## ZNT-02 SERIES



CODE	SIZE(S)	PRESSURE	CERTIFIED
ZTN-02064	1/2" (DN 15)	≤400pis	ASSE® Listed 1003 (1/2"-2-1/2"), cUPC® Listed (1/2"-2"), CSA® Certified
ZTN-02065	3/4" (DN 20)	≤400pis	
ZTN-02066	1" (DN 25)	≤400pis	
ZTN-02067	1 1/4" (DN 32)	≤400pis	
ZTN-02068	1 1/2" (DN 40)	≤400pis	
ZTN-02069	2" (DN 50)	≤400pis	
ZTN-02070	2 1/2" (DN 65)	≤400pis	
ZTN-02071	3" (DN 80)	≤400pis	

### MATERIALS OF CONSTRUCTION

Part description	Materials	Type B	Dimensions		
		valve size	A	B	C
Adjusting screw cap*	Brass				
Cap gasket*	Fiber	1/4"	3"	2 7/8"	1 3/4"
Body	Iron or bronze	3/8"	3 7/8"	4 1/2"	1 3/4"
Spring chamber	Iron or bronze	1/2"	4 1/2"	4 1/2"	2 1/8"
Adjusting spring	Steel	3/4"	5 1/8"	4 5/8"	2 1/8"
Pressure plate	Cast iron or bronze	1"	5 7/8"	5 3/8"	2 1/8"
Diaphragm	NBR, bronze	1 1/4"	6 3/4"	6 1/8"	2 5/8"
Diaphragm gasket**	Aramid fiber	1 1/2"	6 3/4"	6 1/8"	2 5/8"
Pusher post button	Brass	2	9 1/4"	8 1/2"	3 1/2"
Cylinder	Brass				
Piston	Brass				
Pusher post	Brass				
Seat disk	NBR or SST-filled PTFE				
Piston spring	302 Stainless steel				
Strainer screen	Monel®				
Bottom gasket	Aramid fiber or PTFE				
Bottom plug	Brass				



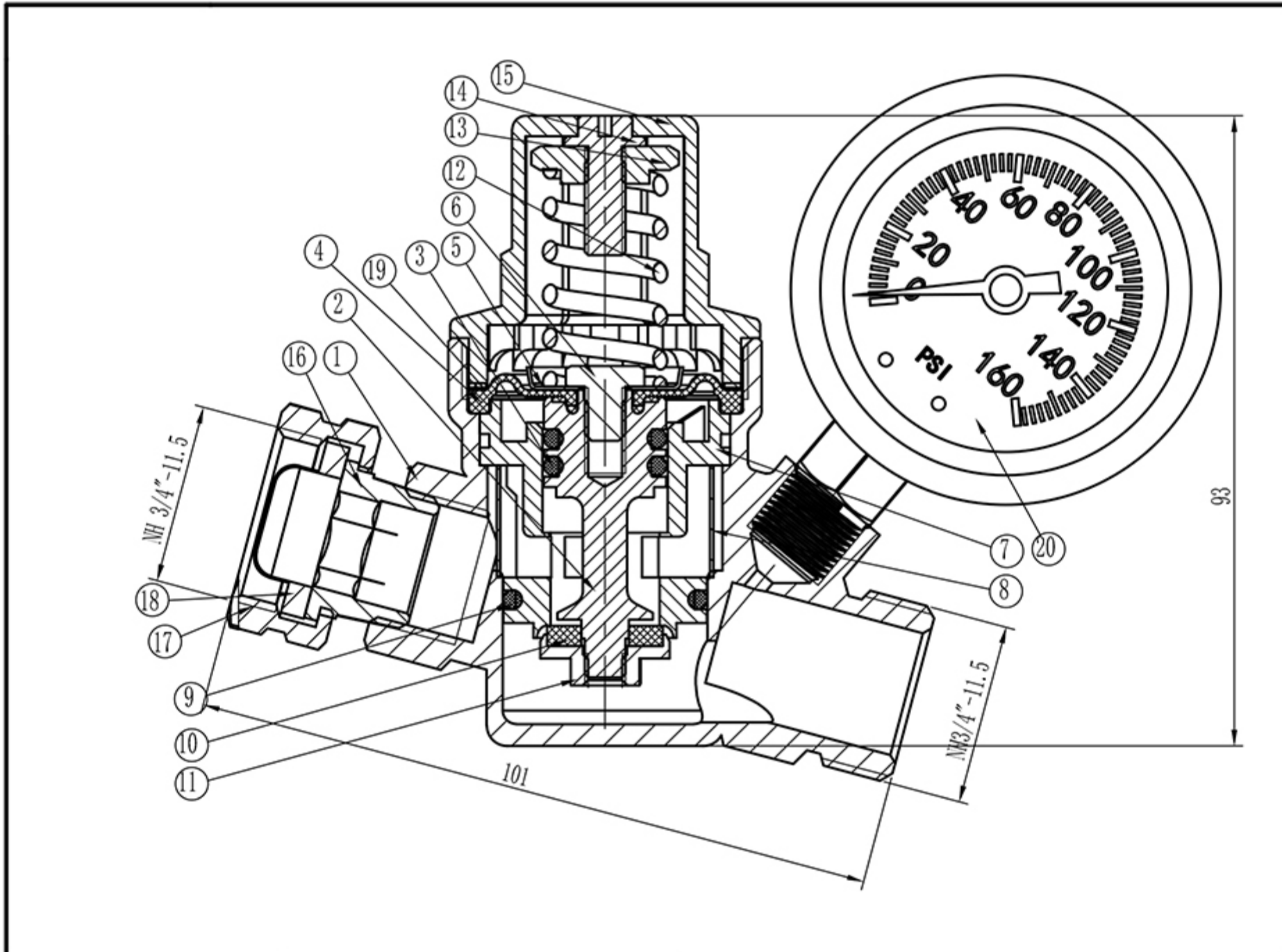


# PRESSURE REDUCING VALVE

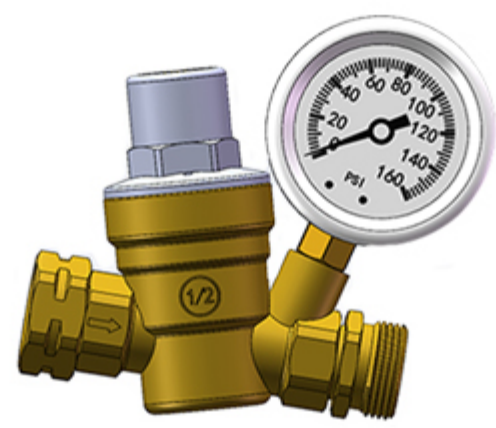
## ZNT-02 SERIES

### WATER PRESSURE REDUCING VALVE

- The water pressure regulator is of high precision, and quick respond.
- Applicable to hydraulic instability, water too fast, water purifier, solar energy, gas heater, faucet, etc
- Brand new and high quality brass Water Pressure Regulator, made of high quality brass, wear-resistant, not easy to rust, strong and



1	1/2" pressure reducing valve body	Brass	1
2	Pressure reducing valve screw	Clients requirement	1
3	O-ring	EPDM	2
4	Sealing diaphragm	EPDM	1
5	Stainless steel clamp	S304	1
6	Hexagon screw	S304	1
7	Plastic core	Plastic	1
8	Filter mesh	S304	1
9	O-ring	EPDM	1
10	Rubber gasket	EPDM	1
11	Compression cap	H59-1	1
12	Spring	S304	1
13	Hexagon copper washer	H57-3	1
14	Adjustment screw	Brass	1
15	Pressure reducing valve cap	Plastic	1
16	Hexagon socket connection cap	C46500	1
17	Union cap	C46500	1
18	Rubber filter mesh	EPDM+S304	1
19	Stainless steel gasket	S304	1
20	Pressure gauge		1
NO.	Name	Material	Quantity



# PRESSURE REDUCING VALVE

## ZNT-02 SERIES



CODE	SIZE(S)	TEMPERATURE	UPSTREAM PMAX	CERTIFIED
ZTN-02072	1/2" (DN 15)	40°C	16bar	ACS, SVGW, DVGW, WRAS, KIWA, KIWA REG4
ZTN-02073	3/4" (DN 20)	40°C	16bar	



CODE	SIZE(S)	TEMPERATURE	UPSTREAM PMAX	CERTIFIED
ZTN-02074	1/2" (DN 15)	40°C	16bar	ACS, SVGW, DVGW, WRAS, KIWA, KIWA REG4
ZTN-02075	3/4" (DN 20)	40°C	16bar	



CODE	SIZE(S)	TEMPERATURE	UPSTREAM PMAX	CONNECT
ZTN-02076	1/2" (DN 15)	40°C	16bar	ACS, SVGW, DVGW, WRAS, KIWA, KIWA REG4



# PRESSURE REDUCING VALVE

## ZNT-02 SERIES



CODE	SIZE(S)	TEMPERATURE	UPSTREAM PMAX	CERTIFIED
ZTN-02077	1/2" (DN 15)	40°C	16bar	ACS, SVGW, DVGW, WRAS, KIWA, KIWA REG4
ZTN-02078	3/4" (DN 20)	40°C	16bar	
ZTN-02079	1" (DN 25)	40°C	16bar	



CODE	SIZE(S)	TEMPERATURE	UPSTREAM PMAX	CERTIFIED
ZTN-02080	3/8" (DN 10)	40°C	16bar	ACS, SVGW, DVGW, WRAS, KIWA, KIWA REG4



CODE	SIZE(S)	TEMPERATURE	UPSTREAM PMAX	CERTIFIED
ZTN-02081	1/2" (DN 15)	40°C	16bar	WRAS, KIWA REG4
ZTN-02082	3/4" (DN 20)	40°C	16bar	

# PRESSURE REDUCING VALVE

## ZNT-02 SERIES



CODE	SIZE(S)	TEMPERATURE	UPSTREAM PMAX	CERTIFIED
ZTN-02083	1/2" (DN 15)	40°C	16bar	WRAS, KIWA REG4
ZTN-02084	3/4" (DN 20)	40°C	16bar	



CODE	SIZE(S)	TEMPERATURE	UPSTREAM PMAX	CERTIFIED
ZTN-02085	1/2" (DN 15)	40°C	16bar	WRAS, KIWA REG4
ZTN-02086	3/4" (DN 20)	40°C	16bar	



CODE	SIZE(S)	TEMPERATURE	UPSTREAM PMAX	CERTIFIED
ZTN-02087	1/2" (DN 15)	40°C	16bar	WATERMARK
ZTN-02088	3/4" (DN 20)	40°C	16bar	



# PRESSURE REDUCING VALVE

## ZNT-02 SERIES



CODE	SIZE(S)	TEMPERATURE	UPSTREAM PMAX	CERTIFIED
ZTN-02089	1/2" (DN 15)	80°C	16bar	ACS, DVGW, SVGW, KIWA
ZTN-02090	3/4" (DN 20)	80°C	16bar	



CODE	SIZE(S)	TEMPERATURE	UPSTREAM PMAX	CERTIFIED
ZTN-02091	1/2" (DN 15)	80°C	16bar	ACS, DVGW, SVGW, KIWA, (LTC version) WRAS, KIWA REG4
ZTN-02092	3/4" (DN 20)	80°C	16bar	



CODE	SIZE(S)	TEMPERATURE	UPSTREAM PMAX	CERTIFIED
ZTN-02093	1/2" (DN 15)	80°C	16bar	ACS, DVGW, SVGW, KIWA, (LTC version) WRAS, KIWA REG4
ZTN-02094	3/4" (DN 20)	80°C	16bar	
ZTN-02095	1" (DN 25)	80°C	16bar	

# PRESSURE REDUCING VALVE

## ZNT-02 SERIES



CODE	SIZE(S)	TEMPERATURE	UPSTREAM PMAX	CERTIFIED
ZTN-02096	3/4" (DN 20)	80°C	16bar	WRAS, KIWA REG4



CODE	SIZE(S)	TEMPERATURE	UPSTREAM PMAX	CERTIFIED
ZTN-02097	1/2" (DN 15)	80°C	16bar	WRAS, KIWA REG4
ZTN-02098	3/4" (DN 20)	80°C	16bar	



CODE	SIZE(S)	TEMPERATURE	UPSTREAM PMAX	CERTIFIED
ZTN-02099	1/2" (DN 15)	80°C	16bar	WRAS, KIWA REG4
ZTN-02100	3/4" (DN 20)	80°C	16bar	
ZTN-02101	1" (DN 25)	80°C	16bar	



# PRESSURE REDUCING VALVE

## ZNT-02 SERIES



CODE	SIZE(S)	TEMPERATURE	UPSTREAM P <sub>MAX</sub>	CERTIFIED
ZTN-02102	1/2" (DN 15)	80°C	16bar	WRAS, KIWA REG4
ZTN-02103	3/4" (DN 20)	80°C	16bar	
ZTN-02104	1" (DN 25)	80°C	16bar	



CODE	SIZE(S)	TEMPERATURE	UPSTREAM P <sub>MAX</sub>	CERTIFIED
ZTN-02105	1/2" (DN 15)	80°C	20bar	WATERMARK
ZTN-02106	3/4" (DN 20)	80°C	20bar	
ZTN-02107	1" (DN 25)	80°C	20bar	



CODE	SIZE(S)	TEMPERATURE	UPSTREAM P <sub>MAX</sub>	CERTIFIED
ZTN-02108	1/2" (DN 15)	80°C	20bar	WRAS, KIWA REG4
ZTN-02109	3/4" (DN 20)	80°C	20bar	
ZTN-02110	1" (DN 25)	80°C	20bar	

# PRESSURE REDUCING VALVE

## ZNT-02 SERIES



CODE	SIZE(S)	TEMPERATURE	UPSTREAM P <sub>MAX</sub>	CERTIFIED
ZTN-02111	1/2" (DN 15)	40°C	25bar	DVGW, ACS, SVGW, WRAS, KIWA REG4
ZTN-02112	3/4" (DN 20)	40°C	25bar	
ZTN-02113	1" (DN 25)	40°C	25bar	
ZTN-02114	1 1/4"	40°C	25bar	
ZTN-02115	1 1/2" (DN 40)	40°C	25bar	
ZTN-02116	2" (DN 50)	40°C	25bar	



CODE	SIZE(S)	TEMPERATURE	UPSTREAM P <sub>MAX</sub>	CERTIFIED
ZTN-02117	3/4" (DN 20)	40°C	25bar	WRAS, KIWA REG4



CODE	SIZE(S)	TEMPERATURE	UPSTREAM P <sub>MAX</sub>	CERTIFIED
ZTN-02118	1/2" (DN 15)	40°C	25bar	DVGW, ACS, SVGW
ZTN-02119	3/4" (DN 20)	40°C	25bar	
ZTN-02120	1" (DN 25)	40°C	25bar	



# PRESSURE REDUCING VALVE

## ZNT-02 SERIES



CODE	SIZE(S)	TEMPERATURE	UPSTREAM P <sub>MAX</sub>	CERTIFIED
ZTN-02121	DN 15	80°C	2500 kPa (static) 1600 kPa (working)	WRAS, ACS, DVGW, SVGW, KIWA, SINTEF, KIWA REG4
ZTN-02122	DN 20	80°C		
ZTN-02123	DN 25	80°C		
ZTN-02124	DN 32	80°C		
ZTN-02125	DN 40	80°C		
ZTN-02126	DN 50	80°C		



CODE	SIZE(S)	TEMPERATURE	UPSTREAM P <sub>MAX</sub>	CERTIFIED
ZTN-02127	DN 15 (1/2")	80°C	20bar	WATERMARK
ZTN-02128	DN 20 (3/4")	80°C	20bar	
ZTN-02129	DN 25 (1")	80°C	20bar	
ZTN-02130	DN 32 (1 1/4")	80°C	20bar	
ZTN-02131	DN 40 (1 1/2")	80°C	20bar	
ZTN-02132	DN 50 (2")	80°C	20bar	



CODE	SIZE(S)	TEMPERATURE	UPSTREAM P <sub>MAX</sub>	CERTIFIED
ZTN-02133	DN 20 (3/4")	80°C	25bar	ACS, NF

# PRESSURE REDUCING VALVE

## ZNT-02 SERIES



CODE	SIZE(S)	TEMPERATURE	UPSTREAM PMAX	CERTIFIED
ZTN-02134	DN 15 (1/2")	80°C	25bar	WRAS, ACS, KIWA REG4
ZTN-02135	DN 20 (3/4")	80°C	25bar	
ZTN-02136	DN 25 (1")	80°C	25bar	
ZTN-02137	DN 32 (1 1/4")	80°C	25bar	
ZTN-02138	DN 40 (1 1/2")	80°C	25bar	



CODE	SIZE(S)	TEMPERATURE	UPSTREAM PMAX	CERTIFIED
ZTN-02139	DN 15 (1/2")	80°C	25bar	WRAS, ACS, KIWA REG4
ZTN-02140	DN 20 (3/4")	80°C	25bar	
ZTN-02141	DN 25 (1")	80°C	25bar	



CODE	SIZE(S)	TEMPERATURE	UPSTREAM PMAX	CERTIFIED
ZTN-02142	DN 40 (1 1/2")	80°C	25bar	WRAS, ACS, KIWA REG4
ZTN-02143	DN 50 (2")	80°C	25bar	



# PRESSURE REDUCING VALVE

## ZNT-02 SERIES



CODE	SIZE(S)	TEMPERATURE	UPSTREAM PMAX	CERTIFIED
ZTN-02144	DN 65	80°C	16bar	WRAS, ACS, KIWA REG4



CODE	SIZE(S)	TEMPERATURE	UPSTREAM PMAX	CERTIFIED
ZTN-02145	DN 15 (1/2")	80°C	25bar	WATERMARK, WRAS, KIWA REG4
ZTN-02146	DN 20 (3/4")	80°C	25bar	
ZTN-02147	DN 25 (1")	80°C	25bar	
ZTN-02148	DN 32 (1 1/4")	80°C	25bar	
ZTN-02149	DN 40 (1 1/2")	80°C	25bar	

# Bornic Family of Brands

BORNIC(zhejiang Bornic Fluid Control Co.,Ltd.)was established in 2005 in Yuhuan City,zhejiang Province. With 50 employees boasting nearly 20 years of industrial experience,our 5000-square-meter facility strictly adheres to Iso quality management systems.

Our products hold EU CE,ACs,WARs,and CUPC certifications,ensuring quality and safety. With an annual output value of \$ 5 million USD, our insured products cater to global markets, adhering to European and other standards with customized services available.Specializing in premium brass fittings and valves,our innovative approach has garnered support in over 50 countries.



**Add:**TAIZHOU,ZHEJIANG PROVINCE,PR.CHINA

**Url:**[www.brasspushfit.com](http://www.brasspushfit.com)

**Emi:**[info@zjbornic.com](mailto:info@zjbornic.com)

**Tel:**+86-576-80735234