



# BORNIC

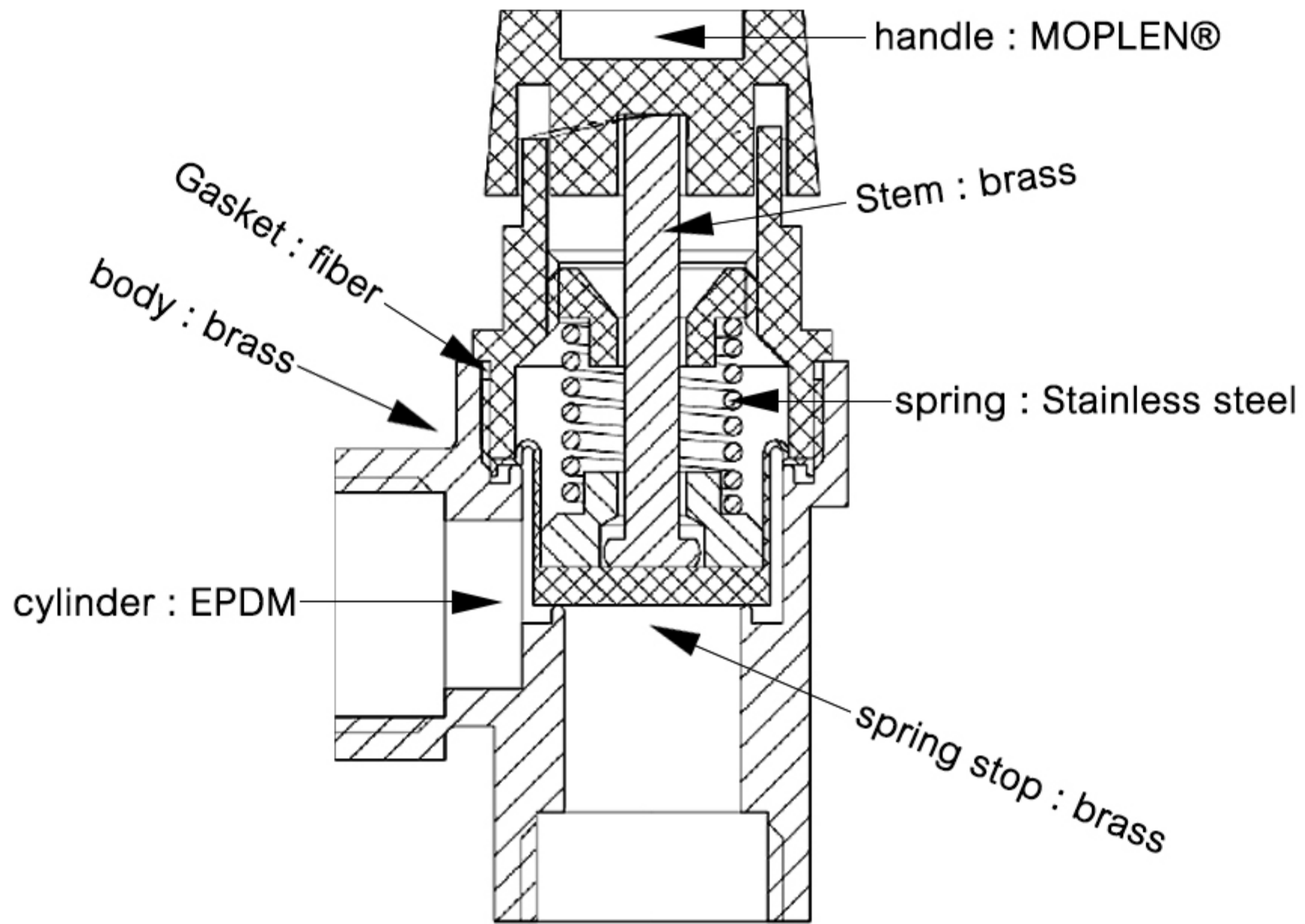
## ZTN-04 SERIES



SAFETY VALVE



# ZTN-04 SERIES



**Brass Valves: Visual Index**

## Table of Contents

Visual Index.....H2

Safety Valve.....H3-H17

Supports customization of brass, bronze, stainless steel and other materials,  
with multiple European product certificates

ABOUT US.....H18



# SAFETY VALVE

## ZNT-04 SERIES



ZTN-03039

Size : 1/2"

Colour : 7 Bars

Material : Brass

Number of Pieces : 1

Safety valve DOJA BARCELONA 7 BARS 1 pressure valve

1 2 73 Valve pressure limiter 5 mm Valve pressure limiter for water pressure reducer safety water heater group



ZTN-03040

Material : Brass Plastic

Item Package Quantity : 1

Maximum Pressure : 3 Bars

Membrane safety valve for closed circuit heating installation  
abblase pressure: see drop down above the Diaphragm safety valve – is part of the protection of pressure installations, which are filled with water or mixtures.



ZTN-03041

Diaphragm safety valve for closed heating installations. Deflating pressure: see selection field above. The diaphragm safety valve is intended to protect pressure installations filled with water or water mixtures. Manufacturer: Watts Max. Power: up to approx. 50 kW connections: Input: 1/2 inch internal thread x outlet: 3/4 inch internal thread; Material: pressed brass CW617N according to EN 12165-99; Membrane made of heat-resistant and aging resistant material; rotary cap made of impact-resistant plastic; spring made of NiCr steel. Pressure pre-set discharge pressure at factory and by a tested security disk that Allows deflation pressure and engine pressure. Door sign against secure adjustment.



# SAFETY VALVE

## ZNT-04 SERIES



ZTN-03042

Size : 1/2"  
Material : Chrome-plated brass  
Maximum Pressure : 8 Bars  
Certification : CE



ZTN-03043

Material : Brass  
Number of Pieces : 1  
Maximum Pressure : 8.5 Bars



ZTN-03044

Max. percentage of glycol: 50%.  
Working temperature range: -20 - 360°F.  
Discharge outlet: 3/4" female.  
Discharge capacity: 180,000 BTU.  
Eintritt: 1/2"(IG)  
Austritt: 3/4"(IG)  
Ansprechdruck:3 bar  
Temperaturbereich: -30°C bis 160°C  
Druchbereich: PN 10  
Gehäuse:Messing,vernickelt  
Einsetzbar bis:50 kW  
Einsetzbar bis:50% Glycol  
TÜV-zertifiziert gem.SC 100.7.7.  
Nr.TÜV SV 07 2009.SOL.50.p

# SAFETY VALVE

## ZNT-04 SERIES



ZTN-03045

Connection : Thread  
Pressure : Non-Ajustable  
Closed : Closed  
Structure : Spring  
Material : Brass  
Working Temperature : -20°C to 120°C  
Usage : Industrial and Household  
Surface : Forged Brass  
Max Preset Pressure : 10bar  
Transport Package : Pallet and Carton



ZTN-03046

Connection : Thread  
Pressure : Non-Ajustable  
Closed : Closed  
Structure : Spring  
Material : Brass  
Working Temperature : -20°C to 120°C  
Usage : Industrial and Household  
Surface : Forged Brass  
Max Preset Pressure : 10bar  
Transport Package : Pallet and Carton



ZTN-03047

Surface treatment: brass color  
Maximum working temperature:  $-10^{\circ}\text{C} \leq t \leq 120^{\circ}\text{C}$   
Nominal pressure:  $\leq 2.0\text{Mpa}$   
Applicable medium: water  
Specifications: 1/2" 3/4" 1"



# SAFETY VALVE

## ZNT-04 SERIES



ZTN-03048

Connection : Thread  
Pressure : Non-Ajustable  
Closed : Closed  
Structure : Spring  
Material : Brass  
Working Temperature : -20°C to 120°C  
Usage : Industrial and Household  
Surface : Forged Brass  
Max Preset Pressure : 10bar  
Transport Package : Pallet and Carton



ZTN-03049

Safety relief valve, male and female connection.  
Settings: 2 - 2.5 - 3 - 3.5 - 4 - 5 - 6 - 7 - 8 bar.  
Discharge overpressure: 20%.  
Closing differential pressure: 20 %.  
Safety relief valves are commonly used in heat generators in heating systems, hot water storage devices in hydraulic and domestic water systems, and for pressure control in hydraulic systems. When the set pressure is reached, the valve opens and vents to the atmosphere, preventing the pressure in the system from reaching dangerous levels for the generator and components installed in the system.



ZTN-03050

Safety relief valve, male-female connection.  
Settings: 2 - 2.5 - 3 - 3.5 - 4 - 5 - 6 - 7 - 8 bar.  
Exhaust overpressure: 20%.  
Closing spread: 20%.  
Medium temperature range 5–110°C  
Safety relief valves are commonly used in heat generators in heating systems, hot water storage devices in hydraulic and domestic water systems, and for pressure control in hydraulic systems. When the set pressure is reached, the valve opens and vents to the atmosphere, preventing the pressure in the system from reaching dangerous levels for the generator and components installed in the system.

# SAFETY VALVE

## ZNT-04 SERIES



ZTN-03051

Safety relief valve.  
Discharge overpressure 20%.  
Closing differential pressure: 15%.  
Certified to NF P 52-001 - Level 2.  
Media temperature range: 5–110°C  
Maximum discharge rating: 110 kW



ZTN-03052

Safety relief valve, female connector.  
Settings: 1.5 - 2 - 2.5 - 3 - 3.5 - 5 - 6 - 7 - 8 bar.  
Discharge overpressure: 20%.  
Closing differential pressure: 20 %.  
Safety relief valves are commonly used to control the pressure of heat generators in heating systems, the pressure of hot water storage devices in hydraulic and domestic water systems, and the pressure in hydraulic systems. After the set pressure is reached, the valve opens, preventing system pressure from reaching levels harmful to the generator and components installed in the system by venting to the atmosphere.



ZTN-03053

Port Size 1/2-1"  
Structure Safety  
Application General  
Place of Origin Zhejiang, China  
Power Hydraulic  
Customized support OEM, ODM  
Warranty 3 years  
Model Number 1/2



# SAFETY VALVE

## ZNT-04 SERIES



ZTN-03054

Safety relief valve, female connector.

Settings: 1.5 - 2 - 2.5 - 3 - 3.5 - 5 - 6 - 7 - 8 bar.

Discharge overpressure: 20%.

Closing differential pressure: 20 %.

Safety relief valves are commonly used to control the pressure of heat generators in heating systems, the pressure of hot water storage devices in hydraulic and domestic water systems, and the pressure in hydraulic systems. After the set pressure is reached, the valve opens, preventing system pressure from reaching levels harmful to the generator and components installed in the system by venting to the atmosphere.



ZTN-03055

Safety relief valve.

Discharge overpressure: 20%.

Closing differential pressure: 15%.

Certified to NF P 52-001 - Level 2.

Media temperature range: 5–110°C

Maximum discharge rating: 110 kW

PN (nominal pressure): PN 10



ZTN-03056

environ 90°C

Material Dezincification resistant brass DR

Temperature and pressure safety valve.

Used in domestic water systems to protect hot water storage.



# SAFETY VALVE

## ZNT-04 SERIES



ZTN-03057

Safety valves are commonly used to control pressure in heat generators and storage water heaters.

When the response pressure is reached, the valve opens, preventing system pressure at the heat generator and mounting components from rising to dangerous levels by releasing the pressure to the atmosphere. Safety relief valve for domestic water supply systems.

Discharge overpressure: 20%. Closing differential pressure: 20%.



ZTN-03058

Safety relief valve, female connector.

Settings: 1.5 - 2 - 2.5 - 3 - 3.5 - 5 - 6 - 7 - 8 bar.

Discharge overpressure: 20%.

Closing differential pressure: 20 %.

Safety valves are commonly used to control pressure in heat generators and storage water heaters.

When the response pressure is reached, the valve opens, preventing system pressure at the heat generator and mounting components from rising to dangerous levels by releasing the pressure to the atmosphere.



ZTN-03059

Safety relief valve, female connector.

Settings: 2.5 - 3 - 3.5 - 5 - 6 - 7 - 8 bar.

Discharge overpressure: 20%.

Closing differential pressure: 20 %.

Safety relief valves are commonly used to control the pressure of heat generators in heating systems, the pressure of hot water storage devices in hydraulic and domestic water systems, and the pressure in hydraulic systems. After the set pressure is reached, the valve opens, preventing system pressure from reaching levels harmful to the generator and components installed in the system by venting to the atmosphere. 527 EST Series valves are fail-safe, meaning they are guaranteed to operate even if the diaphragm is worn or broken.

# SAFETY VALVE

## ZNT-04 SERIES



ZTN-03060

Customization: available  
Media: Water  
Certification: CCC, ISO, CE  
Pressure : Non-Ajustable  
Closed : Closed  
Structure : Spring  
Material : Brass  
Working Temperature : -20°C to 120°C  
Usage : Industrial and Household  
Surface : Forged Brass  
Max Preset Pressure : 10bar  
Transport Package : Pallet and Carton



ZTN-03061

Temperature Ordinary Temperature  
Connection Thread  
Pressure Adjustable  
Closed Open  
Structure Lever  
Material Brass  
Product Name Safety Valve  
Size 1/2" - 2"  
MOQ 10PCS  
Color Customized Color  
Working Pressure 1.0-1.6MPa (10-25bar)  
Warranty 3 Years  
Place of Origin Zhejiang, China  
Transport Package Carton and Pallet  
Specification 1/2" 3/4" 1" 5/4" 3/2" 2"



ZTN-03062

Safety relief valve.  
Discharge overpressure 20 %.  
Closing differential 15 %.  
Closing differential 15%.  
Certified to NF P 52-001 - Class 2 standard.  
Medium temperature range: 5–110 °C  
Maximum discharge rating: 110 kW



# SAFETY VALVE

## ZNT-04 SERIES



ZTN-03063

Customization: available  
Media: Water  
Certification: CCC, ISO, CE  
Pressure : Non-Ajustable  
Closed : Closed  
Structure : Spring  
Material : Brass  
Working Temperature : -20°C to 120°C  
Usage : Industrial and Household  
Surface : Forged Brass  
Max Preset Pressure : 10bar  
Transport Package : Pallet and Carton



ZTN-03064

Material Brass  
Brand GENERIC  
Item dimensions L x W x H 13 x 6 x 13 centimeters  
Exterior finish Brass  
Manufacturer GENERIC  
Features a 3/4" size for compatibility with standard water heater systems.  
Constructed from durable brass material to withstand high temperatures and pressure.  
Serves as a safety mechanism to relieve excess pressure and prevent damage to the water heater.  
Helps protect against potential hazards such as overheating and bursting.  
Provides reliable performance and peace of mind for homeowners.



ZTN-03065

Safety relief valve for domestic water systems.  
Exhaust overpressure: 20%. Closing spread: 20%.  
Medium temperature range 5–95°C  
medium Domestic water  
Temperature and pressure safety valves (TP) 309 series manufactured by Caleffi SpA comply with the essential safety requirements laid down in Directive 2014/68/EU of the European Parliament and of the Council harmonizing the requirements of the Member States with respect to pressurized equipment.

# SAFETY VALVE

## ZNT-04 SERIES



ZTN-03066

Safety relief valve.  
Discharge overpressure: 20%.  
Closing differential pressure: 20%.  
medium temperature range 5–120 degrees Celsius  
Maximum percentage of ethylene glycol 50%  
medium Water, ethylene glycol solution



ZTN-03067

Connection : Thread  
Pressure : Non-Ajustable  
Closed : Semi-Closed  
Structure : Spring  
Material : Brass  
Product Name : Electrical Water Heater Brass  
Safety Valve Without  
Size : 1/2"-4"  
Surface : Natural Brass or Nickel Plated  
Power : Hydraulic  
Transport Package : Carton  
Specification : 1/2"-4"



ZTN-03068

Material Brass body,  
Brass can be CuZn39Pb3, CZ121, C37710, CW614N, CW617N, DZR, etc  
Surface Natural brass or Nickel plated  
Size 1/2"-4"  
Testing Pressure 100% tested with 0.6MPa - 0.8MPa by air.  
Thread BSP & NPT for selecting  
Samples Time 1) 2 days - For our existing samples for reference  
2) 15 days - If new size, need make the new mould  
OEM Acceptable Yes  
Production Capacity 100,000 pcs each month  
Packing Details Poly bag, inner box, out carton and pallet.  
Payment Term T/T ,L/C,,D/P,D/A,PAYPAL  
Delivery Time 20 days to 40 days after confirming the order  
Minimum Order Quantity 1000 Pieces



# SAFETY VALVE

## ZNT-04 SERIES



ZTN-03069

Connection : Thread  
Pressure : Non-Ajustable  
Closed : Closed  
Structure : Spring  
Material : Brass  
Pressure Value : 0.75MPa/0.8MPa/0.9MPa/1.0MPa  
Size : G1/2' and G3/4"  
Surface Finishing : Nickle  
Exporter Country : Europe/Africa  
Water Temperature : 1-99°C



ZTN-03070

Product Dimensions 21 x 17 x 14 cm; 250g  
Part Number 3283150404196  
Batteries Included? No  
Batteries Required? No  
Weight 0.25 Kilograms  
Spare part availability duration  
Spare part information not available or provided



ZTN-03071

Material Bronze  
Item dimensions L x W x H 1.67 x 5.13 x 4.7 inches  
Exterior Finish Bronze  
Inlet Connection Type Compression  
Outlet Connection Type PEX  
Specification Met CSA, NSF 320  
Valve Type Thermostatic Mixing Valve  
Global Trade Identification Number 00697285245242  
Manufacturer Cash Acme  
UPC 697285245242  
Part Number 24524  
Item Weight 15.2 ounces  
Product Dimensions 1.67 x 5.13 x 4.7 inches  
Item model number 24524  
Size 3/8 in. Valve & Integral Checks  
Color Bronze

# SAFETY VALVE

## ZNT-04 SERIES



ZTN-03072

Material Brass body,  
Brass can be CuZn39Pb3, CZ121, C37710, CW614N, CW617N, DZR, etc  
Surface Natural brass or Nickel plated  
Size 1/2"-3/4"  
Testing Pressure 100% tested with 0.6MPa - 0.8MPa by air.  
Thread BSP & NPT for selecting  
Samples Time 1) 5 days - For our existing samples for reference  
2) 15-35 days - If new size, need make the new mould  
OEM Acceptable Yes  
Production Capacity 100,000 pcs each month  
Packing Details Poly bag, inner box, out carton and pallet.  
Payment Term T/T ,L/C,,D/P,D/A,PAYPAL



ZTN-03073

Connection : Thread  
Pressure : Adjustable  
Closed : Semi-Closed  
Structure : Spring  
Material : Brass  
Product Name : Brass Water Heater Safety Valve  
Size : 1/2"-4"  
Surface : Natural Brass or Nickel Plated  
Power : Hydraulic  
Transport Package : Carton  
Specification : 1/2"-3/4"



ZTN-03074

**【General Accessories】** : Thermostatic mixing valve, The thermostatic mixing valve has high stream and good performance general accessories, with or without HWC (hot water circulation) small floor heating circuit, so as to achieve the lasting constant temperature range and stream requirements.

**【InBuilt Temperature Control Device】** : Shower mixing valve, Mixing valve has a inbuilt temperature control device, which provides the safety function of anti scalding for the domestic hot water system, and can be used as a suitable option for the faucet.

**【Prevention of Burns】** : The temperature range is 35 to 60°. In case of cold water failure, the safety device will automatically cut off the hot water supply to prevent burns.

**【Large Stream】** : Thermostatic mixing valve has a large stream, convenient and fast, stable performance, suitable for domestic hot water.

**【Applicable Scenarios】** : 3 Way thermostatic mixing valve is suitable for domestic hot water equipment or floor heating, used in bathrooms, toilets, kitchens, washing, etc.



# SAFETY VALVE

## ZNT-04 SERIES



ZTN-03075

Product Dimensions 21 x 17 x 14 cm; 250g  
Part Number 3283150404196  
Batteries Included? No  
Batteries Required? No  
Weight 0.25 Kilograms  
Spare part availability duration  
Spare part information not available or provided



ZTN-03076

Medium temperature range  
5–110°C  
PN (nominal pressure)  
Product number 10  
Safety relief valve, male-female connection.  
Exhaust overpressure: 20%. Closing spread: 20%.



ZTN-03077

Material Bronze  
Brand Wärmer System  
Exterior finish Brass  
Outlet connection type BSPT  
Boiler safety valve  
Pressure: 2.5 bar  
Thread Size 1/2" M x 1/2" F

# SAFETY VALVE

## ZNT-04 SERIES



ZTN-03078

New safety groups 1/2" (15x21).  
Special for hot water storage heater small capacities on or under the sink, 1/2" fitting.  
For hot water storage heater until 4 kW max. power.  
Delivery with air gap threaded G1" DN 20.



ZTN-03079

Characteristics identical to the SFR Stainless steel but with orientable discharge port air gap.  
Particularly adapted to the "stable" or "horizontal" hot water storage heaters because in this configuration of installation the valve is more subjected to the risks of scaling or filling by the impurities such as sand or silica.



ZTN-03080

Safety group with diaphragm. Model high capacity.  
Soupape à levée progressive.  
For hot water storage heater 1" (26x34) of max. power rating: 18 kW.  
Flow rate 5 m<sup>3</sup>/h.  
Orientable metallic angle discharge port with air gap.  
Particularly adapted to the "stable" or "horizontal" hot water storage heater because in this configuration of installation the valve is more subjected to the risks of scaling or filling by the impurities such as sand or silica.  
Set pressure: 6 bar for UK.  
Set pressure: 7 bar for France and Belgium.



# SAFETY VALVE

## ZNT-04 SERIES



ZTN-03081

This complete set for hot water storage heaters with high capacity includes:  
2 safety groups GSM 1" (Compliant with standards WRAS (UK), NF EN 1487 (F),  
BELGAQUA (B).

2 connection brass sets

2 chromed fittings MM 1"

2 trap funnel kits with deflector

For high capacity hot water storage heaters of max. power rating 24 kW.

# Bornic Family of Brands

BORNIC(zhejiang Bornic Fluid Control Co.,Ltd.)was established in 2005 in Yuhuan City,zhejiang Province. With 50 employees boasting nearly 20 years of industrial experience,our 5000-square-meter facility strictly adheres to Iso quality management systems.

Our products hold EU CE,ACs,WARs,and CUPC certifications,ensuring quality and safety. With an annual output value of \$ 5 million USD, our insured products cater to global markets, adhering to European and other standards with customized services available.Specializing in premium brass fittings and valves,our innovative approach has garnered support in over 50 countries.



**Add:**TAIZHOU,ZHEJIANG PROVINCE,PR.CHINA

**Url:**[www.brasspushfit.com](http://www.brasspushfit.com)

**Emi:**[info@zjbornic.com](mailto:info@zjbornic.com)

**Tel:**+86-576-80735234