



# BORNIC

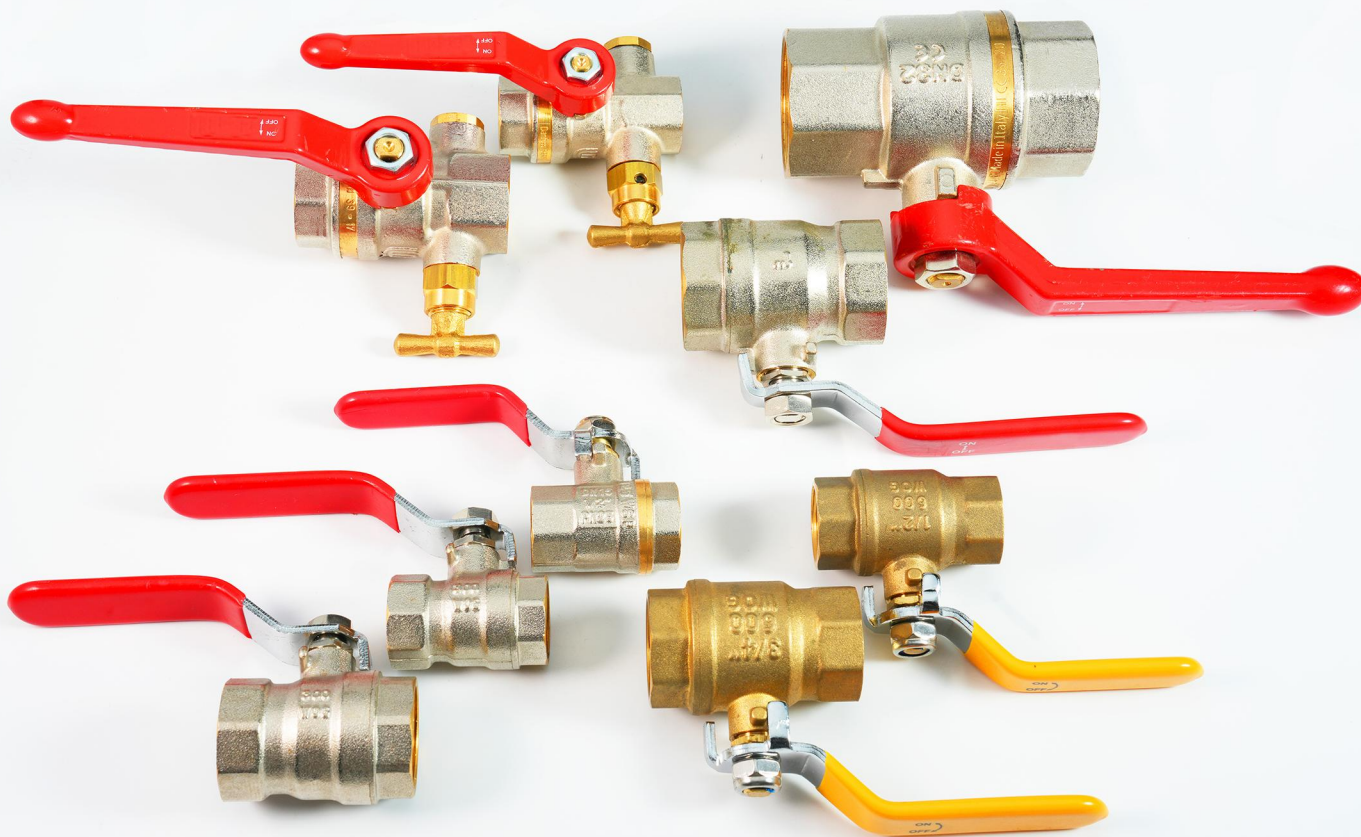
## ZTN-014 SERIES



### BALL VALVES

# IN-LINE BRASS BALL VALVES

## PREMIER FLOW CONTROL OFFERING



Brass Valves: Visual Index

### Table of Contents

Visual Index.....H2

Ball Valves.....H3

Wide range of brass, carbon steel and stainless steel ball valves. For use as fuel shut-off lines and other general purpose applications that require shut-off capability.

ABOUTUS.....H9





# BALL VALVES

## ZNT-014 SERIES

### FEATURES:

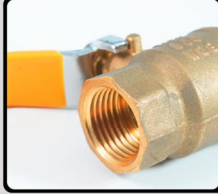
- Temperature Range: -20°F to 248°F
- Maximum Pressure: 600 PSI (Size 1/4" to 1-1/4")
- Full Port for maximum flow rate
- Double O-Ring and blowout proof stem



The handle supports 90-degree rotation



Brass valve body ensures a long service life



Fine threading with excellent craftsmanship



High-density brass ball provides superior sealing performance

What is important to you, when you buy ball valves? What about: Long service? Brass? Easy to clean? Value for money? Blow-out proof stem? Minimum drop of pressure?

BORNIC brass ball valves are characterized by their blow out proof stem and minimum drop of pressure. The brass ball valves are available in a wide range of dimensions at competitive prices.

All these benefits you will get with BORNIC brass ball valves. It is your assurance for a prosperous business.



PART NO	DESCRIPTION	BX QTY	MC QTY
---------	-------------	--------	--------

### BRASS | THREADED | NICKEL PLATED

ZTN-014-001	1/8" FIP x FIP	20	200
ZTN-014-002	1/4" FIP x FIP	20	200
ZTN-014-003	3/8" FIP x FIP	10	100
ZTN-014-004	1/2" FIP x FIP	10	100
ZTN-014-005	3/4" FIP x FIP	10	100
ZTN-014-006	1" FIP x FIP	10	50
ZTN-014-007	1-1/4" FIP x FIP	10	20
ZTN-014-008	1-1/2" FIP x FIP (500 PSI)	4	20
ZTN-014-009	2" FIP x FIP (350 PSI)	2	10



PART NO	DESCRIPTION	BX QTY	MC QTY
---------	-------------	--------	--------

### BRASS | THREADED

ZTN-014-010	1/4" FIP x FIP	-	20
ZTN-014-011	3/8" FIP x FIP	-	20
ZTN-014-012	1/2" FIP x FIP	-	15
ZTN-014-013	3/4" FIP x FIP	-	15
ZTN-014-014	1" FIP x FIP	-	10
ZTN-014-015	1-1/4" FIP x FIP	-	4
ZTN-014-016	1-1/2" FIP x FIP (500 PSI)	-	4
ZTN-014-017	2" FIP x FIP (350 PSI)	-	2



PART NO	DESCRIPTION	BX QTY	MC QTY
---------	-------------	--------	--------

### BRASS | SWEAT

ZTN-014-018	1/2" SWT x SWT	-	15
ZTN-014-019	3/4" SWT x SWT	-	15
ZTN-014-020	1" SWT x SWT	-	10
ZTN-014-021	1-1/4" SWT x SWT	-	5
ZTN-014-022	1-1/2" SWT x SWT (500 PSI)	-	5
ZTN-014-023	2" SWT x SWT (350 PSI)	-	2

# BALL VALVES

## ZNT-014 SERIES

### FEATURES:

- Temperature Range: -20°F to 300°F
- Maximum Pressure: 600 PSI
- Full Port for maximum flow rate
- Packing gland and blowout proof stem

### Typical Applications



Residential



Industrial



Commercial



PART NO	DESCRIPTION	BX QTY	MC QTY
---------	-------------	--------	--------

### BRASS | THREADED

ZTN-014-024	1/4" FIP x FIP	15	120
ZTN-014-025	3/8" FIP x FIP	15	150
ZTN-014-026	1/2" FIP x FIP	-	20
ZTN-014-027	3/4" FIP x FIP	-	15
ZTN-014-028	1" FIP x FIP	-	10
ZTN-014-029	1-1/4" FIP x FIP	4	24
ZTN-014-030	1-1/2" FIP x FIP	2	24
ZTN-014-031	2-1/2" FIP x FIP	2	6
ZTN-014-032	3" FIP x FIP	2	4
ZTN-014-033	4" FIP x FIP	-	2



PART NO	DESCRIPTION	BX QTY	MC QTY
---------	-------------	--------	--------

### BRASS | SWEAT

ZTN-014-034	1/2" SWT x SWT	-	25
ZTN-014-035	3/4" SWT x SWT	-	15
ZTN-014-036	1" SWT x SWT	-	10
ZTN-014-037	1-1/4" SWT x SWT	4	24
ZTN-014-038	1-1/2" SWT x SWT	2	24
ZTN-014-039	2" SWT x SWT	2	12
ZTN-014-040	2-1/2" SWT x SWT	2	6
ZTN-014-041	3" SWT x SWT	2	4
ZTN-014-042	4" SWT x SWT	-	2



PART NO	DESCRIPTION	BX QTY	MC QTY
---------	-------------	--------	--------

### BRASS | THREADED | STAINLESS STEEL T-HANDLE

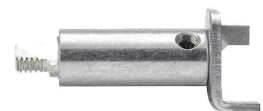
ZTN-014-043	1/2" FIP x FIP	-	12
ZTN-014-044	3/4" FIP x FIP	10	60
ZTN-014-045	3/4" FIP x FIP	-	10
ZTN-014-046	1" FIP x FIP	8	48



PART NO	DESCRIPTION	BX QTY	MC QTY
---------	-------------	--------	--------

### BRASS | THREADED | LOCKING HANDLE

ZTN-014-047	1/2" FIP x FIP	15	120
ZTN-014-048	3/4" FIP x FIP	10	60
ZTN-014-049	1" FIP x FIP	8	48



PART NO	DESCRIPTION	BX QTY	MC QTY
---------	-------------	--------	--------

### GALVANIZED STEEL | HANDLE EXTENSIONS\*

ZTN-014-050	1/2" and 3/4" Valve Handle Extension	-	50
ZTN-014-051	1" and 1-1/4" Valve Handle Extension	-	50
ZTN-014-052	1-1/2" and 2" Valve Handle Extension	-	50

\*Handle extensions work with most ZTN-014 Series ball valves. Contact Sales Rep for more details

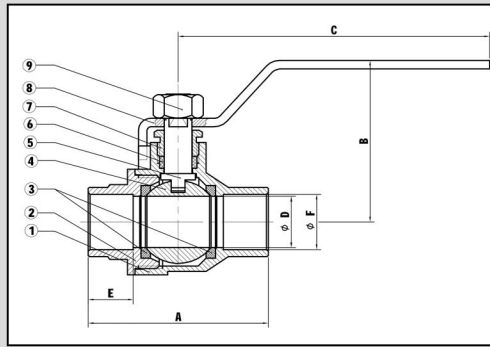
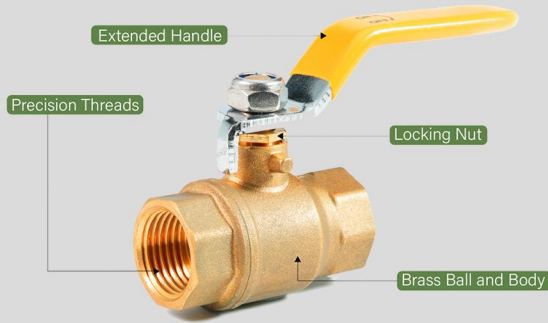
# BALL VALVES

## ZNT-014 SERIES

### FEATURES:

- Temperature Range: -20°F to 300°F
- Max Pressure: 600 PSI (excludes COMP)
- Full port for maximum flow rate
- Packing gland with blowout proof stem

### Product Details



POS	Components	Materials
1	Body	Lead Free Brass
2	End Cap	Lead Free Brass
3	Ball Seat	PTFE
4	Ball	1/4-1: Lead Free Brass 1 1/4-4: SS316 Hollowball
5	Stem	Brass
6	Stem Padding	PTFE
7	Padding Nut	Brass
8	Lever Handle	Nickel plating steel
9	Stem Nut	Brass plating steel
10	Seal	PTFE



PART NO	DESCRIPTION	BX QTY	MC QTY
---------	-------------	--------	--------

### BRASS | COMPRESSION

ZTN-014-053	1/2" COMP x COMP	-	12
ZTN-014-054	3/4" COMP x COMP	-	12
ZTN-014-055	1" COMP x COMP	6	24
ZTN-014-056	1/2" COMP x COMP with Drain (200 PSI)	6	36



PART NO	DESCRIPTION	BX QTY	MC QTY
---------	-------------	--------	--------

### BRASS | THREADED | WITH DRAIN

ZTN-014-057	1/2" FIP x FIP	-	10
ZTN-014-058	3/4" FIP x FIP	-	10
ZTN-014-059	1" FIP x FIP	-	15

### BRASS | SWEAT | WITH DRAIN (Not Pictured)

ZTN-014-060	1/2" SWT x SWT	-	10
ZTN-014-061	WT x SWT	-	10
ZTN-014-062	1" SWT x SWT	-	10



PART NO	DESCRIPTION	BX QTY	MC QTY
---------	-------------	--------	--------

### BRASS | THREADED | UNION

ZTN-014-063	1/2" FIP x MIP Union	8	40
ZTN-014-064	3/4" FIP x MIP Union	6	24
ZTN-014-065	1" FIP x MIP Union	4	16



PART NO	DESCRIPTION	BX QTY	MC QTY
---------	-------------	--------	--------

### BRASS | THREADED

ZTN-014-066	1/4" MIP x FIP	20	200
ZTN-014-067	1/2" MIP x FIP	15	120
ZTN-014-068	3/4" MIP x FIP	10	60
ZTN-014-069	1" MIP x FIP	8	48
ZTN-014-070	1-1/4" MIP x FIP	4	24
ZTN-014-071	1-1/2" MIP x FIP	2	24
ZTN-014-072	2" MIP x FIP	2	12



# BALL VALVES

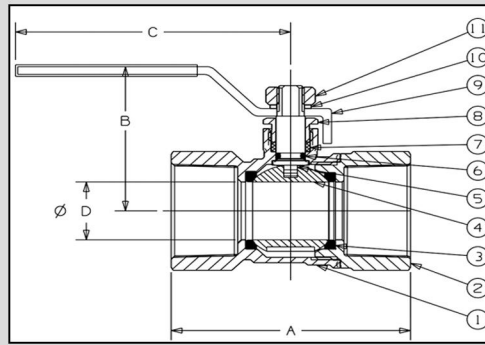
## ZNT-014 SERIES

### FEATURES:

- Temperature Range: -20°F to 300°F
- Maximum Pressure: 600 PSI
- Full port for maximum flow rate
- Packing gland with blowout proof stem



• Generic Handles



MATERIAL LIST	
PART	SPECIFICATION
1 Body	Forged Brass <sup>1</sup> CU > 57%
2 End Cap	Forged Brass <sup>1</sup> CU > 57%
3 Ball Seat	PTFE
4 Ball	Brass, Chrome Plated
5 Stem	Brass
6 O-Ring	Fluorocarbon (FKM)
7 Stem Packing	PTFE
8 Packing Nut	Brass
9 Lever Handle	Steel, Plated
10 Lock Washer	Stainless Steel
11 Stem Nut	Stainless Steel



PART NO	DESCRIPTION	BX QTY	MC QTY
---------	-------------	--------	--------

### BRASS | COMPRESSION

ZTN-014-073	1/4" FIP x FIP	10	120
ZTN-014-074	3/8" FIP x FIP	10	120
ZTN-014-075	1/2" FIP x FIP	10	120
ZTN-014-076	3/4" FIP x FIP	10	60
ZTN-014-077	1" FIP x FIP	6	24
ZTN-014-078	1-1/4" FIP x FIP	4	24
ZTN-014-079	1-1/2" FIP x FIP	2	16
ZTN-014-080	2" FIP x FIP	2	12



PART NO	DESCRIPTION	BX QTY	MC QTY
---------	-------------	--------	--------

### BRASS | SWEAT

ZTN-014-081	1/2" SWT x SWT	10	120
ZTN-014-082	3/4" SWT x SWT	10	60
ZTN-014-083	1" SWT x SWT	6	24
ZTN-014-084	1-1/4" SWT x SWT	4	24
ZTN-014-085	1-1/2" SWT x SWT	2	16
ZTN-014-086	2" SWT x SWT	2	12



PART NO	DESCRIPTION	BX QTY	MC QTY
---------	-------------	--------	--------

### BRASS | F1807 PEX

ZTN-014-087	3/8" PEX x PEX	10	120
ZTN-014-088	1/2" PEX x PEX	10	120
ZTN-014-089	3/4" PEX x PEX	10	80
ZTN-014-090	1" PEX x PEX	6	48
ZTN-014-091	3/4" PEX x MIP	10	80



PART NO	DESCRIPTION	BX QTY	MC QTY
---------	-------------	--------	--------

### BRASS | F1960 PEX

ZTN-014-092	1/2" PEX x PEX	10	100
ZTN-014-093	3/4" PEX x PEX	10	100
ZTN-014-094	1" PEX x PEX	8	80
ZTN-014-095	1-1/4" PEX x PEX	4	36
ZTN-014-096	1-1/2" PEX x PEX	2	24
ZTN-014-097	2" PEX x PEX	2	12
ZTN-014-098	3/4" PEX x MIP	10	80
ZTN-014-099	1" PEX x MIP	6	48

# ZNT-014

## ZNT-014 SERIES

### FEATURES:

- Temperature Range: -20°F to 300°F
- Maximum Pressure: 600 PSI
- Full port for maximum flow rate
- Packing gland with blowout proof stem

## FEATURES & BENEFITS

- Full Port
- Forged Brass
- Two Piece Body
- Teflon Seats
- Blow-Out Proof Stem
- Chrome Plated Solid Brass Ball
- Thread Ends Comply Per ANSI B2.1
- Conforms to MSS-SP-110
- 1/4" - 2" Rated: 600 PSI Non- Shock CWP - 150 PSI SWP
- 2-1/2" - 4" Rated: 400 PSI Non- Shock CWP - 100 PSI SWP
- CSA Gas Approved to 2" (IPS Only)



PART NO	DESCRIPTION	BX QTY	MC QTY
---------	-------------	--------	--------

### BRASS | THREADED | CHROME PLATED | NON-POTABLE

ZTN-014-100	1/4" FIP x FIP	15	120
ZTN-014-101	3/8" FIP x FIP	15	120
ZTN-014-102	1/2" FIP x FIP	15	120
ZTN-014-103	3/4" FIP x FIP	10	60
ZTN-014-104	1" FIP x FIP	8	48
ZTN-014-105	1-1/4" FIP x FIP	4	24
ZTN-014-106	1-1/2" FIP x FIP	2	24



PART NO	DESCRIPTION	BX QTY	MC QTY
---------	-------------	--------	--------

### BRASS | THREADED | CHROME PLATED | LOCKING HANDLE | NON-POTABLE

ZTN-014-108	1/4" FIP x FIP	15	120
ZTN-014-109	3/8" FIP x FIP	15	120
ZTN-014-110	1/2" FIP x FIP	15	120
ZTN-014-111	3/4" FIP x FIP	10	60
ZTN-014-112	1" FIP x FIP	8	48
ZTN-014-113	1-1/2" FIP x FIP	2	24
ZTN-014-114	2" FIP x FIP	2	12



PART NO	DESCRIPTION	BX QTY	MC QTY
---------	-------------	--------	--------

### BRASS | THREADED | NON-POTABLE

ZTN-014-115	1-1/4" MIP x FIP	4	24
ZTN-014-116	1-1/2" MIP x FIP	2	24
ZTN-014-117	2" MIP x FIP	2	12

### BRASS | SWEAT | WITH DRAIN | NON-POTABLE (Not Pictured)

ZTN-014-118	1/2" SWT x SWT	15	120
ZTN-014-119	3/4" SWT x SWT	10	60
ZTN-014-120	1" SWT x SWT	8	48

# BALL VALVES

## ZNT-014 SERIES

### FEATURES:

- Temperature Range: -20°F to 300°F
- Maximum Pressure: 600 PSI
- Full port for maximum flow rate
- Packing gland with blowout proof stem

### QUARTER-TURN HANDLE

For fast, efficient operation:  
simply twist and go!



### FORGED BRASS

Supports W.O.G. operations while resisting corrosion.

### PACKING NUT

Lengthens the valve's operational life.



### HANDLE TYPES

Stainless Steel t-handle and locking handle options available.



PART NO	DESCRIPTION	BX QTY	MC QTY
---------	-------------	--------	--------

### BRASS | THREADED | NON-POTABLE

ZTN-014-121	1/4" FIP x FIP	15	120
ZTN-014-122	3/8" FIP x FIP	15	120
ZTN-014-123	1/2" FIP x FIP	15	120
ZTN-014-124	3/4" FIP x FIP	10	60
ZTN-014-125	1" FIP x FIP	8	48
ZTN-014-126	1-1/4" FIP x FIP	4	24
ZTN-014-127	1-1/2" FIP x FIP	2	24
ZTN-014-128	2" FIP x FIP	2	12
ZTN-014-129	2-1/2" FIP x FIP	2	6
ZTN-014-130	3" FIP x FIP	2	4

### BRASS | SWEAT | NON-POTABLE (Not Pictured)

ZTN-014-131	1/2" SWT x SWT	15	120
ZTN-014-132	3/4" SWT x SWT	10	60
ZTN-014-133	1" SWT x SWT	8	48

PART NO	DESCRIPTION	BX QTY	MC QTY
---------	-------------	--------	--------

### BRASS | THREADED | CHROME PLATED | LOCKING HANDLE | NON-POTABLE

ZTN-014-134	1-1/4" FIP x FIP	4	24
ZTN-014-135	1-1/2" FIP x FIP	2	24
ZTN-014-136	2" FIP x FIP	2	12

### BRASS | THREADED | NICKEL PLATED | NON-POTABLE (Not Pictured)

ZTN-014-137	1/4" FIP x FIP	15	120
ZTN-014-138	3/8" FIP x FIP	15	120
ZTN-014-139	1/2" FIP x FIP	15	120
ZTN-014-140	3/4" FIP x FIP	10	60
ZTN-014-141	1" FIP x FIP	8	48



# Bornic Family of Brands

BORNIC(zhejiang Bornic Fluid ControlCo.,Ltd.)was established in 2005 in Yuhuan City,zhejiang Province. With 50 employees boasting nearly 20 years of industrial experience,our 5000-square-meterfacility strictly adheres to Iso quality management systems.

Our products hold EU CE,ACS,WARS,and CUPC certifications,ensuring quality and safety. With an annual output value of \$ 5 million USD, our insured products cater to global markets, adhering to European and other standards with customized services available.Specializing in premium brass fittings and valves,our innovative approach has garnered support in over 50 countries.

 **BORNIC**<sup>®</sup>

**Add:**TAIZHOU,ZHEJIANG PROVINCE,PR.CHINA

**Url:**[www.brasspushfit.com](http://www.brasspushfit.com)

**Emi:**[info@zjbornic.com](mailto:info@zjbornic.com)

**Tel:**+86-576-80735234